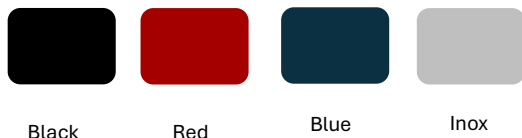


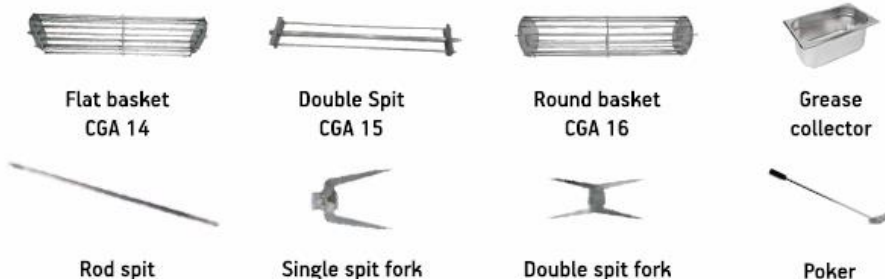
**ROASTER CHARCOAL/WOOD FIRED
CHICKEN ROTISSERIE
CFW12**



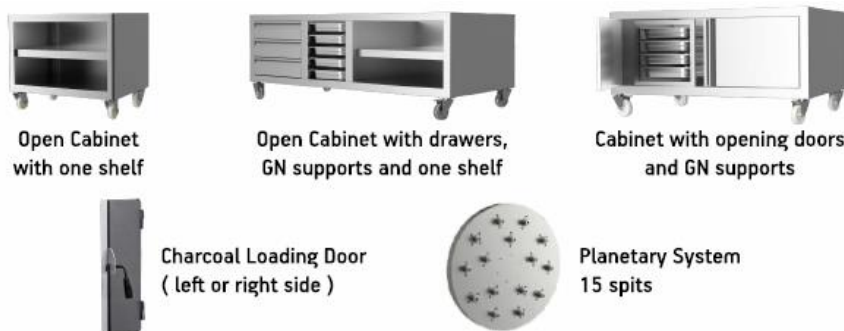
AVAILABLE COLORS



ACCESSORIES



OPTIONAL



TECHNICAL INFORMATION

Roasting area	630 mm x 6 spit rods
Maximum capacity	30 chickens
Fire up time	30 min average
Charcoal daily consumption *	Charcoal 18 – 22 kg
Broiling temperature	200 °C a 300 °C
Maximum weight per spit rod	10 – 12 Kg
Exhaust rate	3.000 m3/h
Electric connection	EU: 220 V / 50 Hz USA: 120 V / 60 Hz

DIMENSIONS & WEIGHTS

Without packaging	1090X920X1930 mm
With packaging	1340X1070X2140 mm
Weight (NET)	450 kg
Weight (with packaging)	560 kg

INSTALLATION

Clearance with non-flammable equipment	100 mm
Clearance with flammable equipment	300 mm

*Depends on the charcoal/wood quality

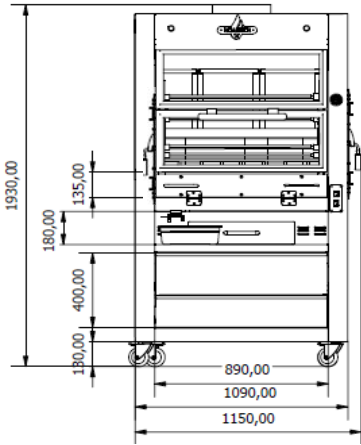
INCLUDED

6 Spit Rods	18 Double Spit Foks	2 Side Loading Door	Grease collector
12 Single Spit Forks	Fire Bricks	Poker	Packaging

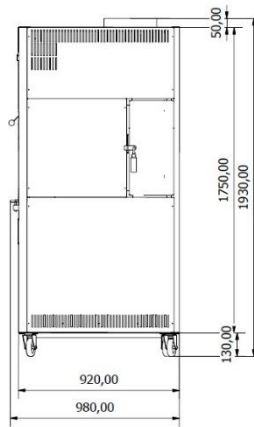


TECHNICAL DRAWINGS

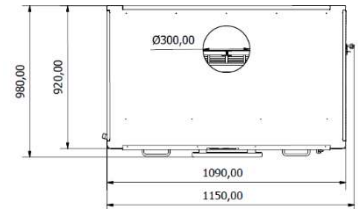
Front view



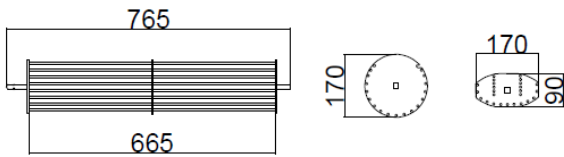
Side view



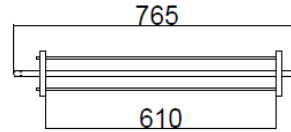
Top view



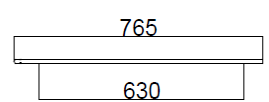
Round & Flat basket



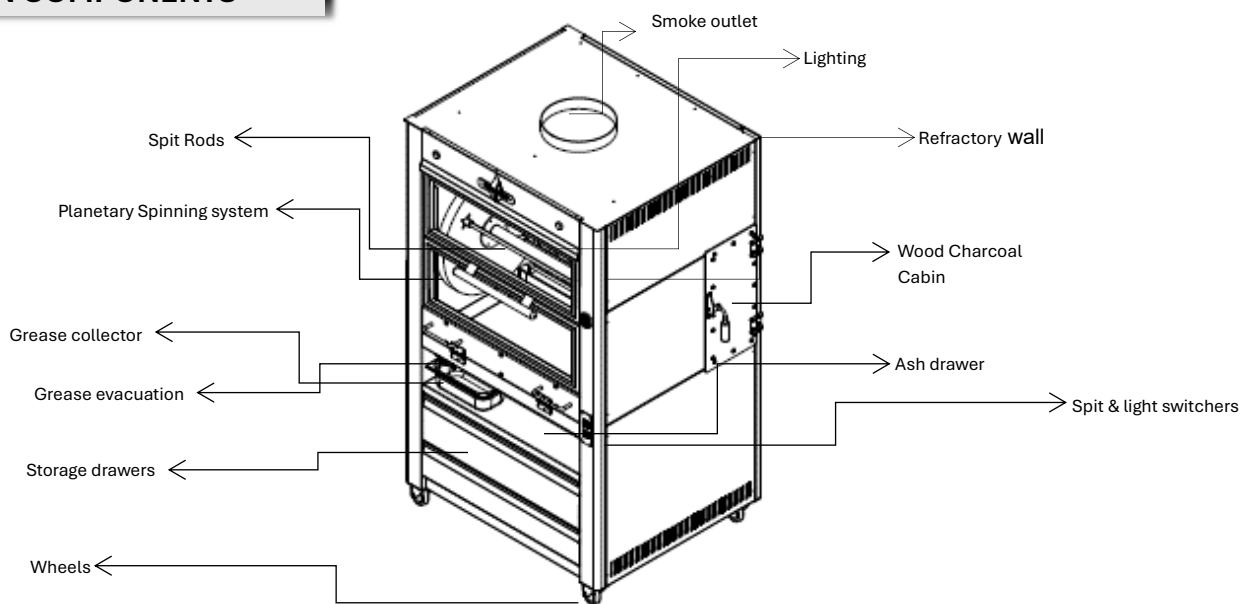
Double Spit



Spit rod



MAIN COMPONENTS



*Dimensions in mm
*The rotisseries are subject to technical and design changes without previous notice

