

**ROASTER PARRILLA CHARCOAL GRILL  
GP1GC**



**TECHNICAL INFORMATION**

Roasting area	630X620 mm
Fire up time	30 min average
Charcoal daily consumption*	Charcoal 16 – 20 kg
Broiling temperature	200 °C to 250 °C
Exhaust rate	2.000 m3/h

**DIMENSIONS & WEIGHTS**

Without packaging	800X825X1550 mm
With packaging	930X1020X1790 mm
Weight (NET)	160 kg
Weight (with packaging)	230 kg

**INSTALLATION**

Clearance with non-flammable equipment	100 mm
Clearance with flammable equipment	300 mm

\*Depends on the charcoal quality

**INCLUDED**

Scraper	1X Parrilla "V" grill grate	Ash Collector Drawer	Grease Collector	Fire Bricks
Poker	2X Upper Grill Racks	Charcoal Shovel	Charcoal Starter	Packaging

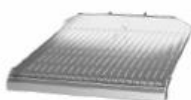
**AVAILABLE COLORS**



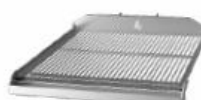
Black      Red      Blue      Inox

**ACCESSORIES**

**OPTIONAL**



Parrilla "V" grill grate



Parrilla rod grill grate



Parrilla upper grill rack



Poker



Grill scraper



Ash shovel



Charcoal starter



Open Cabinet with one shelf



Cabinet with drawers



Cabinet with opening doors and GN supports



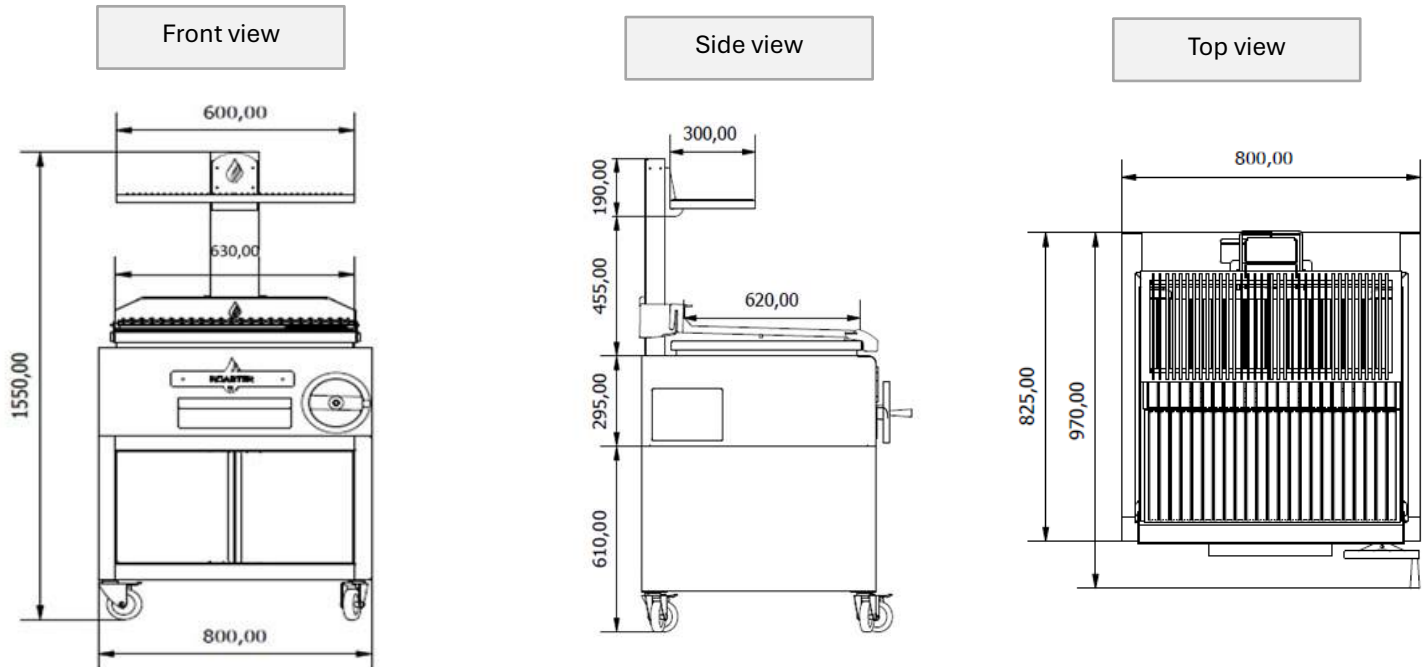
Frontal GN support



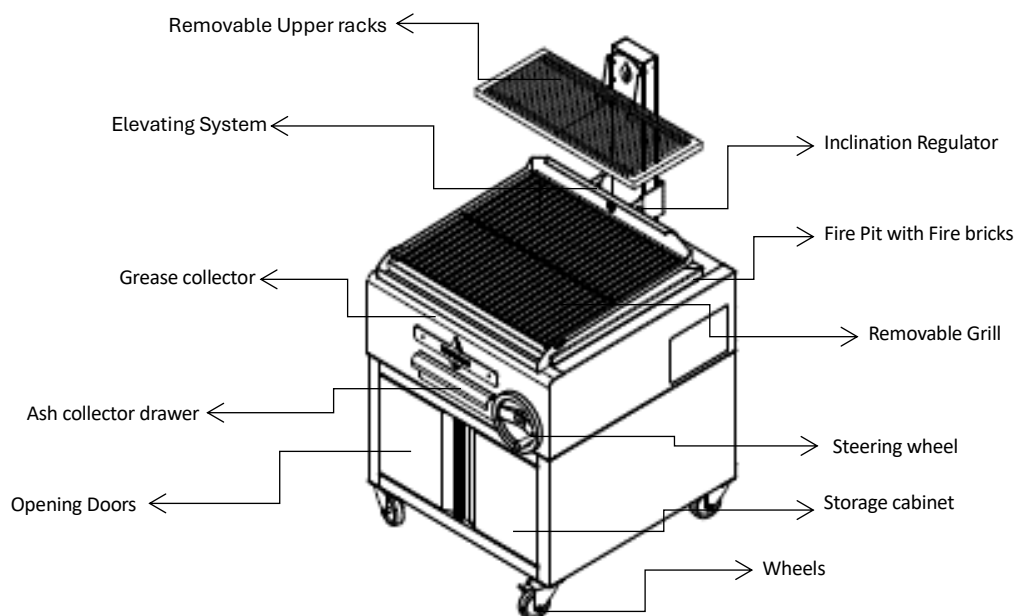
Thermal protection



**TECHNICAL DRAWINGS**



**MAIN COMPONENTS**



\*Dimensions in mm  
 \*The parrilla grills are subject to technical and design changes without previous notice

