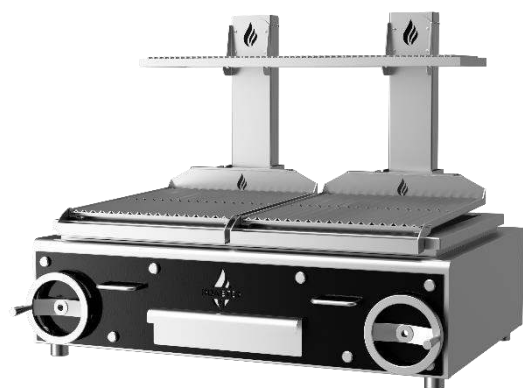


**ROASTER PARRILLA CHARCOAL GRILL
GP2G**



TECHNICAL INFORMATION

| | |
|-----------------------------|---------------------|
| Roasting area | 2X 500X620 mm |
| Fire up time | 30 min average |
| Charcoal daily consumption* | Charcoal 18 – 22 kg |
| Broiling temperature | 200 °C to 250 °C |
| Exhaust rate | 2.500 m3/h |
| Without packaging | 1200X825X1000 mm |
| With packaging | 1350X1000X1240 mm |
| Weight (NET) | 190 kg |
| Weight (with packaging) | 250 kg |

DIMENSIONS & WEIGHTS

| | |
|-------------------------|-------------------|
| Without packaging | 1200X825X1000 mm |
| With packaging | 1350X1020X1240 mm |
| Weight (NET) | 190 kg |
| Weight (with packaging) | 250 kg |

INSTALLATION

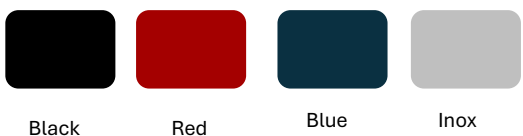
| | |
|--|--------|
| Clearance with non-flammable equipment | 100 mm |
| Clearance with flammable equipment | 300 mm |

*Depends on the charcoal quality

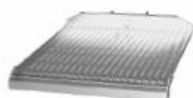
INCLUDED

| | | | | |
|---------|------------------------------|----------------------|------------------|-------------|
| Scraper | 2X Parrilla "V" grill grates | Ash Collector Drawer | Grease Collector | Fire Bricks |
| Poker | 3X Upper Grill Racks | Charcoal Shovel | Charcoal Starter | Packaging |

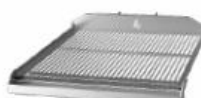
AVAILABLE COLORS



ACCESSORIES



Parrilla "V" grill grate



Parrilla rod grill grate



Parrilla upper grill rack



Poker



Grill scraper



Ash shovel



Charcoal starter

OPTIONAL



Frontal GN support

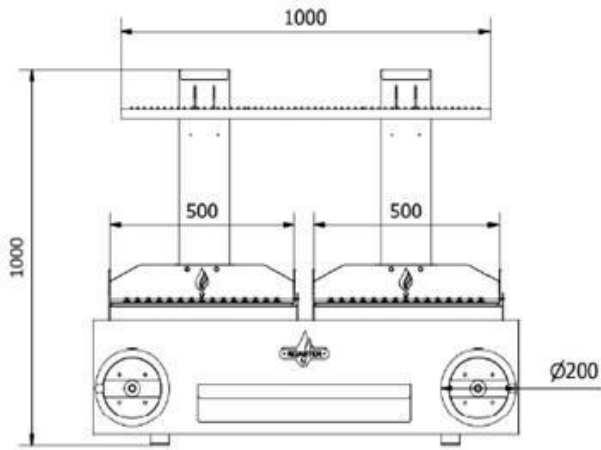


Thermal protection

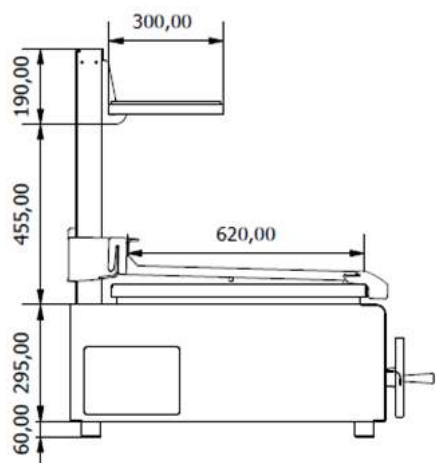


TECHNICAL DRAWINGS

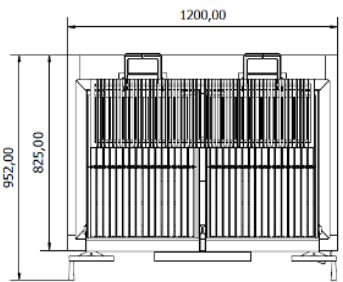
Front view



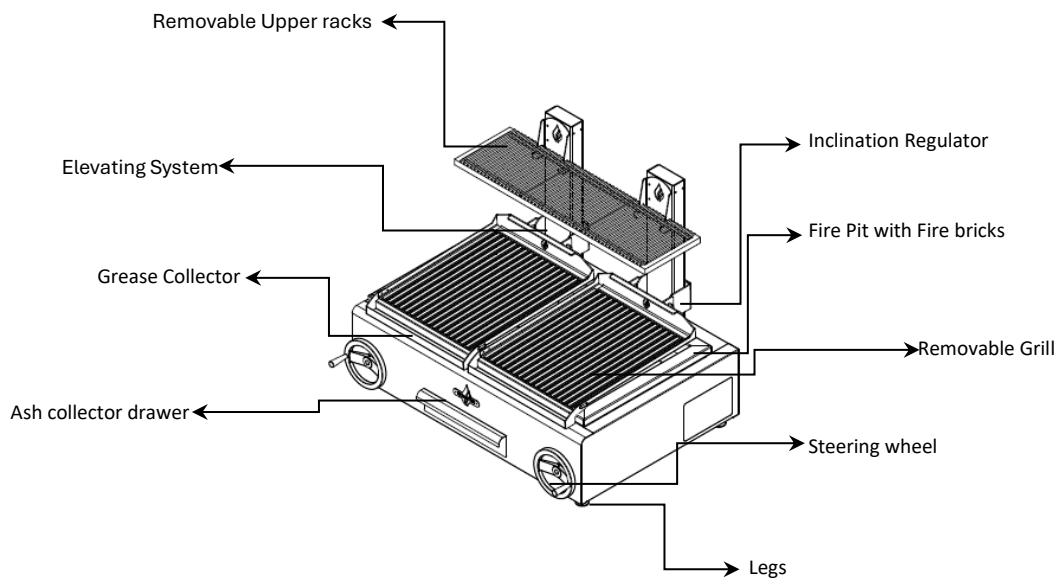
Side view



Top view



MAIN COMPONENTS



*Dimensions in mm
 *The parrilla grills are subject to technical and design changes without previous notice

