

**ROASTER PARRILLA
CHARCOAL GRILL
GP2G**



AVAILABLE COLORS



Black Red Blue Inox

ACCESSORIES

OPTIONAL



Open Cabinet with one shelf



Open Cabinet with drawers,
GN supports and one shelf



Cabinet with opening doors
and GN supports

TECHNICAL INFORMATION

Roasting area	2x 500X620 mm
Fire up time	30 min average
Charcoal daily consumption*	Charcoal 18 – 22 kg
Broiling temperature	200°C to 250°C
Exhaust rate	2.500 m3/h

DIMENSIONS & WEIGHTS

Without packaging	1270X825X1000 mm
With packaging	1420X1020X1240 mm
Weight (NET)	200 kg
Weight (with packaging)	260 kg

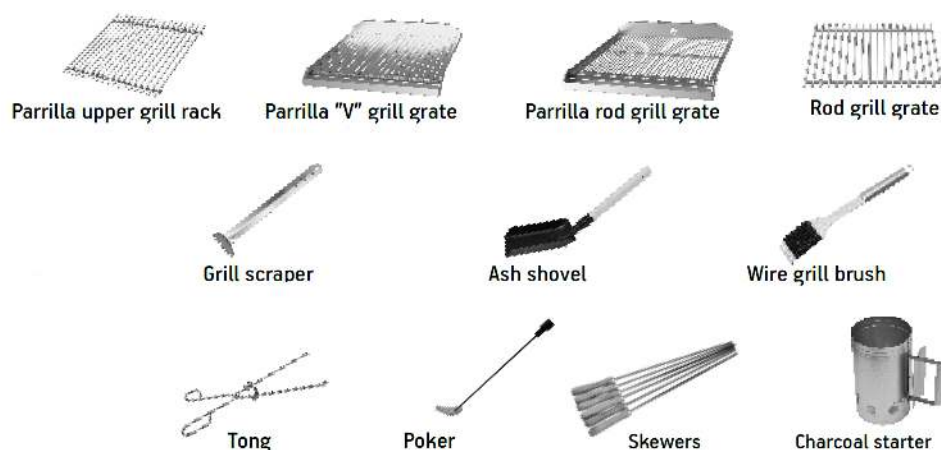
INSTALLATION

Clearance with non-flammable equipment	100 mm
Clearance with flammable equipment	300 mm

* Depends on the charcoal quality

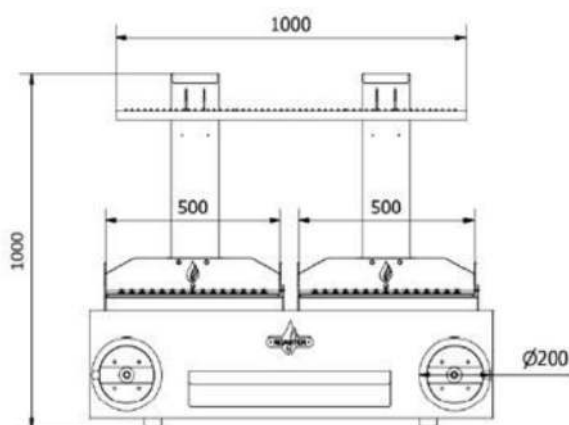
INCLUDED

Scraper	2X Parrilla "V" grill grates	Ash Collector Drawer	Grease Collector	Fire Bricks
Poker	3X Upper Grill Racks	Charcoal Shovel	Charcoal Starter	Packaging

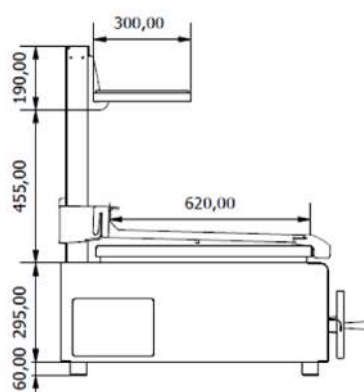


TECHNICAL DRAWINGS

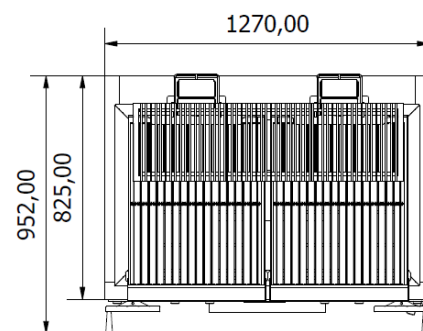
Front view



Side view



Top view



MAIN COMPONENTS

