

**ROASTER PARRILLA CHARCOAL GRILL
GP2GC**



AVAILABLE COLORS



Black Red Blue Inox

ACCESSORIES

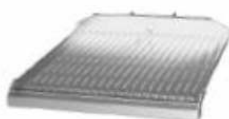
OPTIONAL

TECHNICAL INFORMATION	
Roasting area	2x 500X620 mm
Fire up time	30 min average
Charcoal daily consumption*	Charcoal 18 – 22 kg
Broiling temperature	200°C to 250°C
Exhaust rate	2.500 m3/h

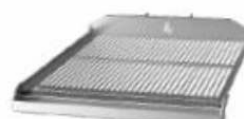
DIMENSIONS & WEIGHTS	
Without packaging	1270X825X1550 mm
With packaging	1420X1020X1790 mm
Weight (NET)	230 kg
Weight (with packaging)	330 kg

INSTALLATION	
Clearance with non-flammable equipment	100 mm
Clearance with flammable equipment	300 mm
* Depends on the charcoal quality	

INCLUDED				
Scraper	2X Parrilla "V" grill grates	Ash Collector Drawer	Grease Collector	Fire Bricks
Poker	3X Upper Grill Racks	Charcoal Shovel	Charcoal Starter	Packaging



Parrilla "V" grill grate



Parrilla rod grill grate



Parrilla upper grill rack



Poker



Grill scraper



Ash shovel



Charcoal starte



Open Cabinet with one shelf



Open Cabinet with drawers,
GN supports and one shelf

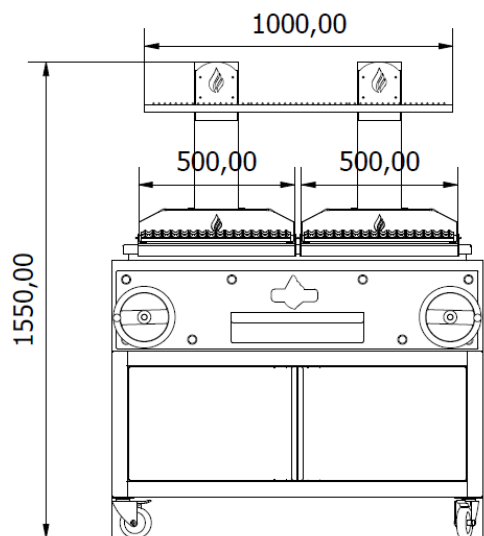


Cabinet with opening doors
and GN supports

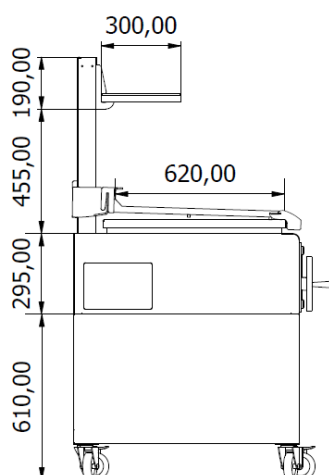


TECHNICAL DRAWINGS

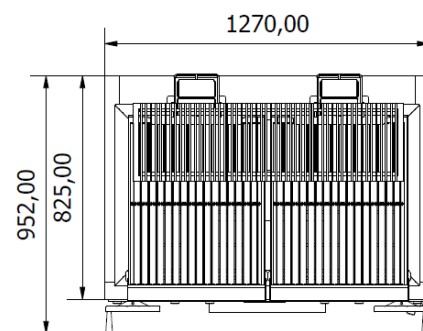
Front view



Side view



Top view



MAIN COMPONENTS

