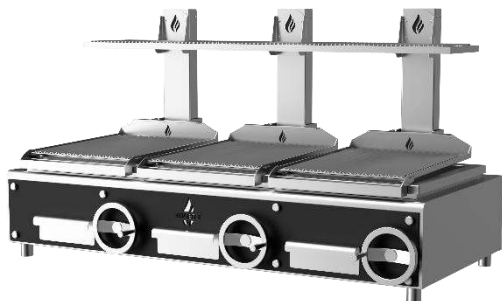


**ROASTER PARRILLA CHARCOAL GRILL
GP3G**



AVAILABLE COLORS



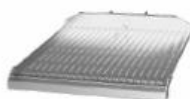
Black

Red

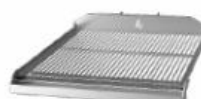
Blue

Inox

ACCESSORIES



Parrilla "V" grill grate



Parrilla rod grill grate



Parrilla upper grill rack



Poker



Grill scraper



Ash shovel



Charcoal starter

OPTIONAL



Frontal GN support



Thermal protection

TECHNICAL INFORMATION

Roasting area	3x 500X620 mm
Fire up time	30 min average
Charcoal daily consumption*	Charcoal 27 – 35 kg
Broiling temperature	200 °C to 250 °C
Exhaust rate	5.300 m3/h

DIMENSIONS & WEIGHTS

Without packaging	1800X825X1000 mm
With packaging	1950X1020X1240 mm
Weight (NET)	250 kg
Weight (with packaging)	330 kg

INSTALLATION

Clearance with non-flammable equipment	100 mm
Clearance with flammable equipment	300 mm

*Depends on the charcoal quality

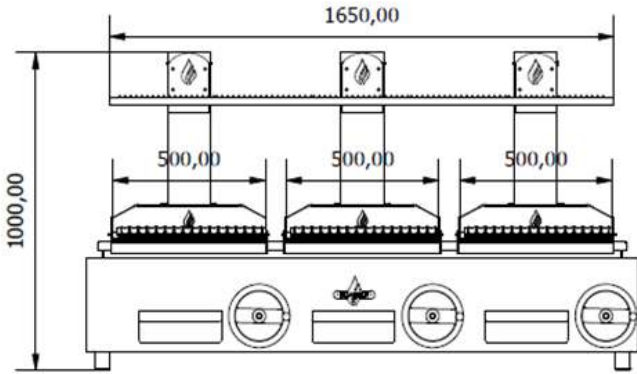
INCLUDED

Scraper	3X Parrilla "V" grill grates	Ash Collector Drawer	Grease Collector	Fire Bricks
Poker	4X Upper Grill Racks	Charcoal Shovel	Charcoal Starter	Packaging

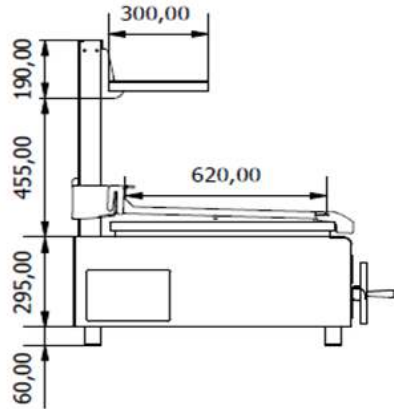


TECHNICAL DRAWINGS

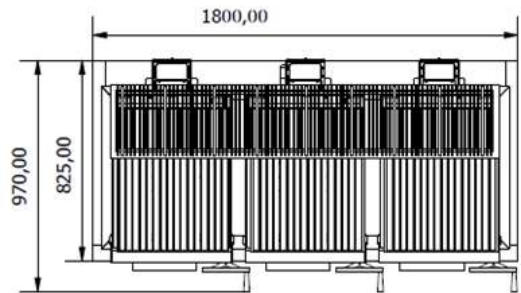
Front view



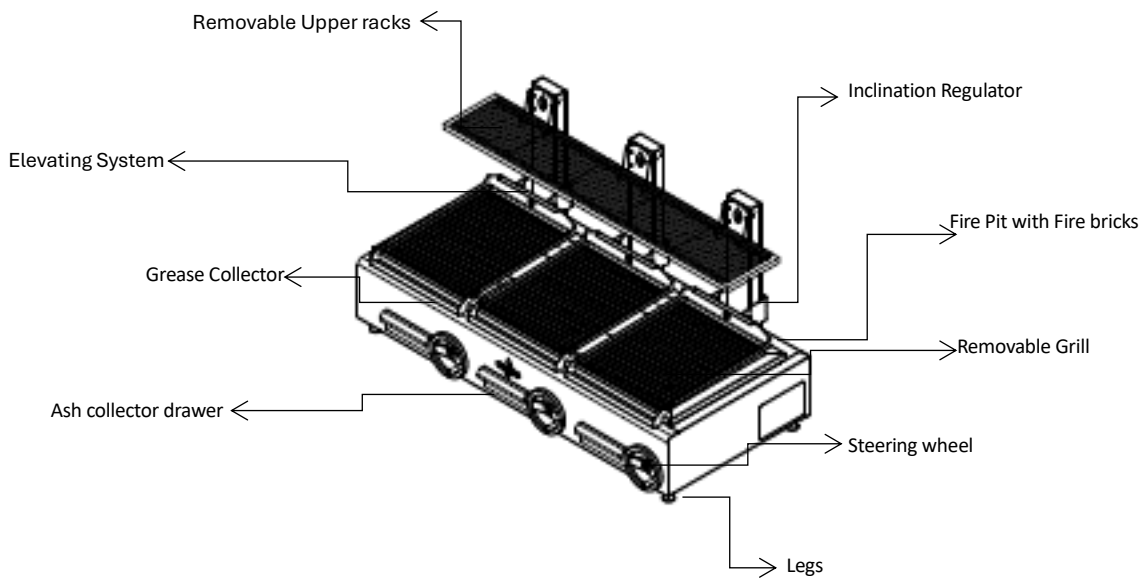
Side view



Top view



MAIN COMPONENTS



*Dimensions in mm
 *The parrilla grills are subject to technical and design changes without previous notice

