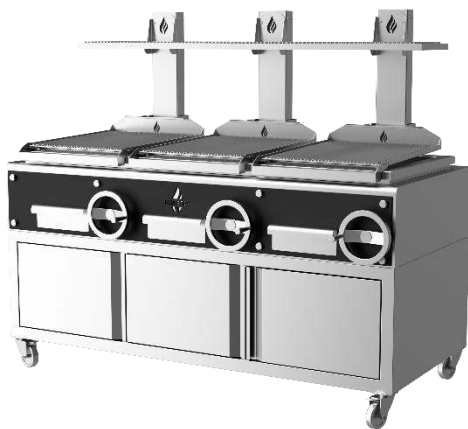


**ROASTER PARRILLA CHARCOAL GRILL
GP3GC**



TECHNICAL INFORMATION

Roasting area	3x 500X620 mm
Fire up time	30 min average
Charcoal daily consumption*	Charcoal 27 – 35 kg
Broiling temperature	200 °C to 250 °C
Exhaust rate	5.300 m3/h

DIMENSIONS & WEIGHTS

Without packaging	1800X825X1550 mm
With packaging	1950X1020X1790 mm
Weight (NET)	280 kg
Weight (with packaging)	390 kg

INSTALLATION

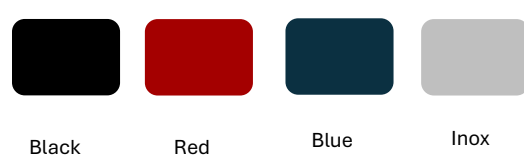
Clearance with non-flammable equipment	100 mm
Clearance with flammable equipment	300 mm

*Depends on the charcoal quality

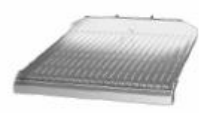
INCLUDED

Scraper	3X Parrilla "V" grill grates	Ash Collector Drawer	Grease Collector	Fire Bricks
Poker	4X Upper Grill Racks	Charcoal Shovel	Charcoal Starter	Packaging

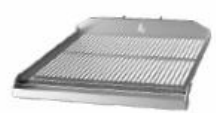
AVAILABLE COLORS



ACCESSORIES



Parrilla "V" grill grate



Parrilla rod grill grate



Parrilla upper grill rack



Poker



Grill scraper



Ash shovel



Charcoal starter

OPTIONAL



Open Cabinet with one shelf



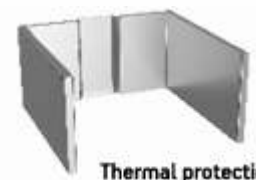
Open Cabinet with drawers, GN supports and one shelf



Cabinet with opening doors and GN supports



Frontal GN support



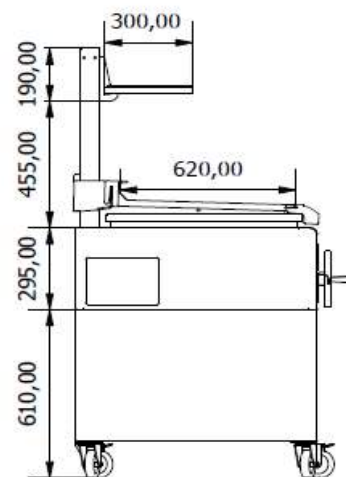
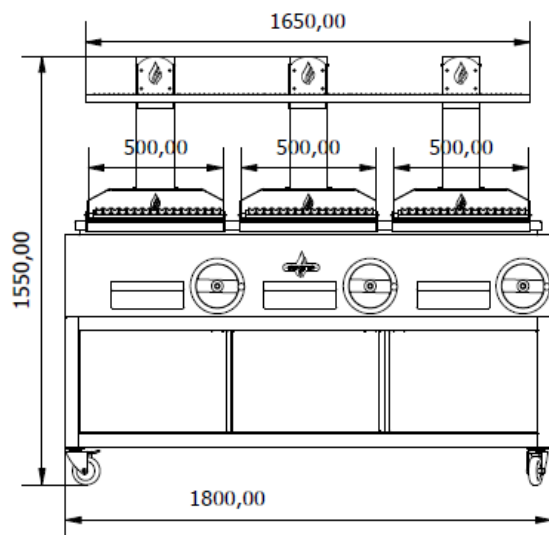
Thermal protection



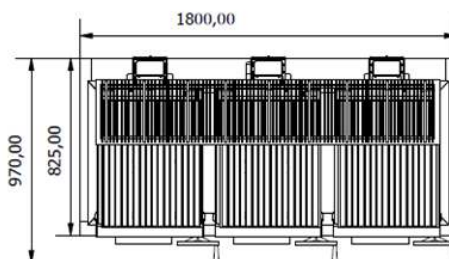
TECHNICAL DRAWINGS

Front view

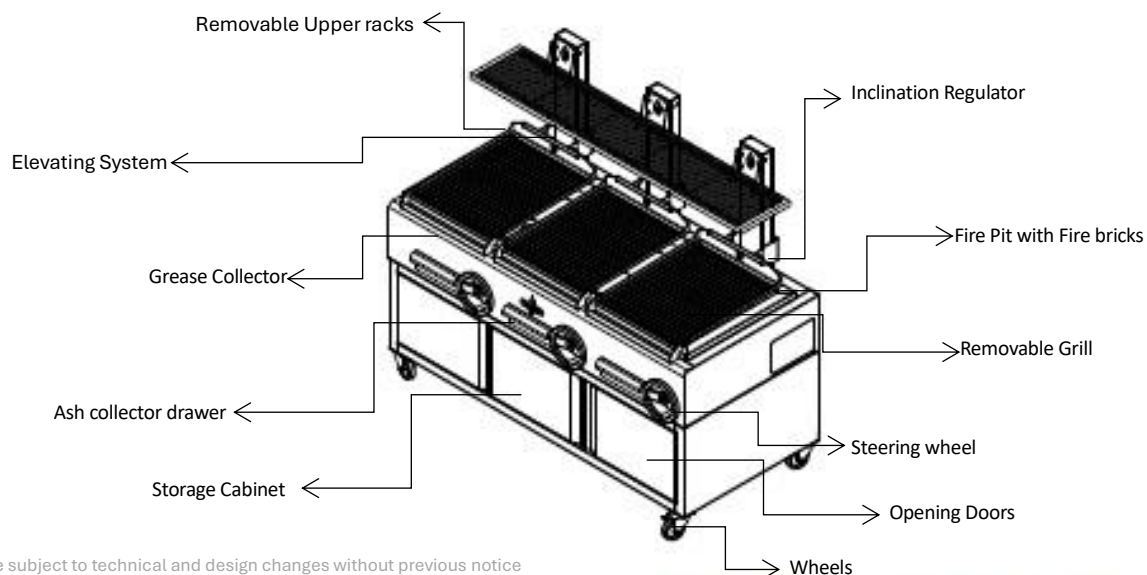
Side view



Top view



MAIN COMPONENTS



*Dimensions in mm

*The parrilla grills are subject to technical and design changes without previous notice

