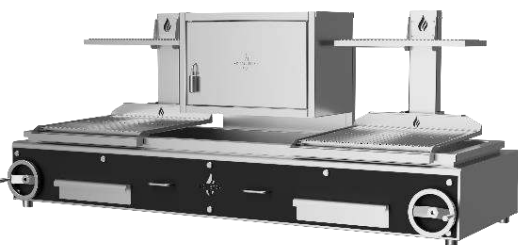


**ROASTER PARRILLA F- SERIES  
CHARCOAL GRILL GPFB26**



**AVAILABLE COLORS**



Black

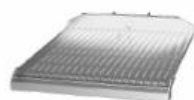
Red

Blue

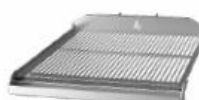
Inox

**ACCESSORIES**

**OPTIONAL**



Parrilla "V" grill grate



Parrilla rod grill grate



Parrilla upper grill rack



Poker



Grill scraper



Ash shovel



Charcoal starter



Frontal GN support



Thermal protection

**TECHNICAL INFORMATION**

Roasting area	2X 630X620 mm
Fire up time	30 min average
Charcoal daily consumption*	Charcoal 35 – 45 kg
Broiling temperature	200 °C to 250 °C
Exhaust rate	5.600 m3/h

**DIMENSIONS & WEIGHTS**

Without packaging	2350X825X1000 mm
With packaging	2500X1020X1240mm
Weight (NET)	275 kg
Weight (with packaging)	380 kg

**INSTALLATION**

Clearance with non-flammable equipment	100 mm
Clearance with flammable equipment	300 mm

\*Depends on the charcoal quality

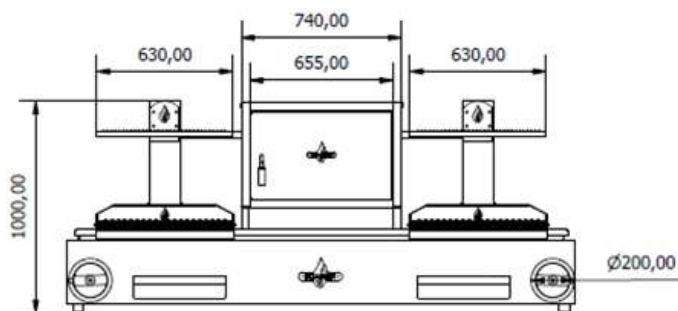
**INCLUDED**

Scraper	2X Parrilla "V" grill grates	Ash Collector Drawer	Grease Collector	Fire Bricks
Poker	2X Upper Grill Racks	Charcoal Shovel	Charcoal Starter	Packaging

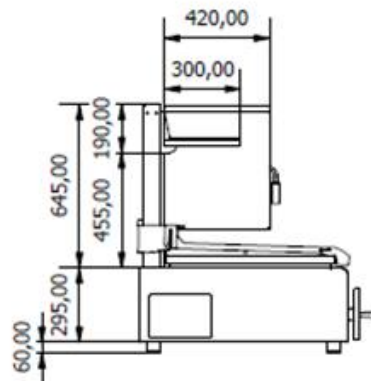


**TECHNICAL DRAWINGS**

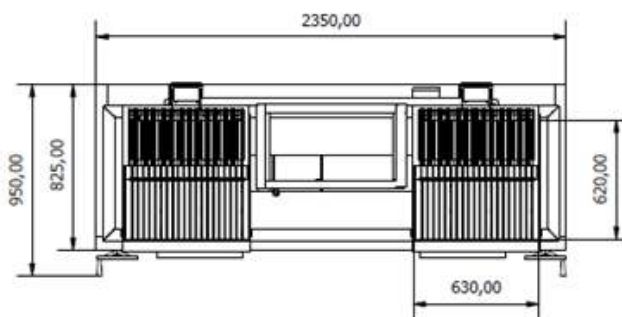
Front view



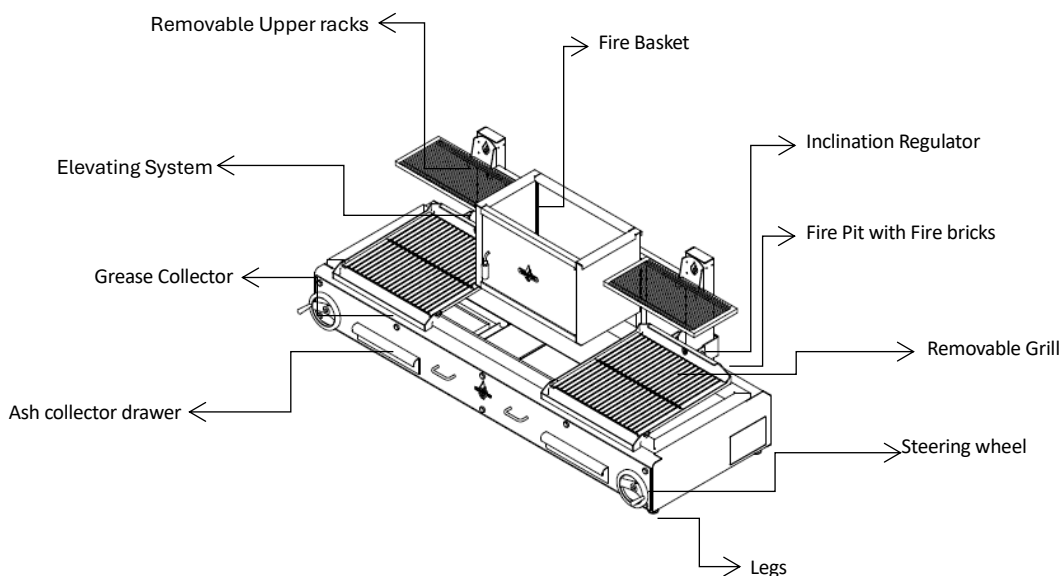
Side view



Top view



**MAIN COMPONENTS**



\*Dimensions in mm

\*The parrilla F- SERIES grills are subject to technical and design changes without previous notice

