

**ROASTER PARRILLA F- SERIES
CHARCOAL GRILL GPFS26C**



AVAILABLE COLORS



Black

Red

Blue

Inox

ACCESSORIES

OPTIONAL

TECHNICAL INFORMATION

Roasting area	2X 630X620 mm
Fire up time	30 min average
Charcoal daily consumption*	Charcoal 30 – 38 kg
Broiling temperature	200 °C to 250 °C
Exhaust rate	5.100 m3/h

DIMENSIONS & WEIGHTS

Without packaging	2100X825X1550 mm
With packaging	2250X1020X1790mm
Weight (NET)	280kg
Weight (with packaging)	385 kg

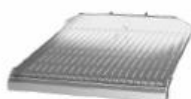
INSTALLATION

Clearance with non-flammable equipment	100 mm
Clearance with flammable equipment	300 mm

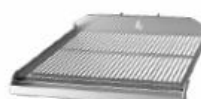
*Depends on the charcoal quality

INCLUDED

Scraper	2X Parrilla "V" grill grates	Ash Collector Drawer	Grease Collector	Fire Bricks
Poker	2X Upper Grill Racks	Charcoal Shovel	Charcoal Starter	Packaging



Parrilla "V" grill grate



Parrilla rod grill grate



Parrilla upper grill rack



Poker



Grill scraper



Ash shovel



Charcoal starter



Open Cabinet with one shelf



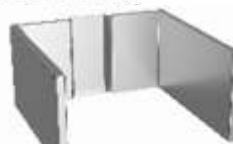
Open Cabinet with drawers,



Cabinet with opening doors
and GN supports



Frontal GN support

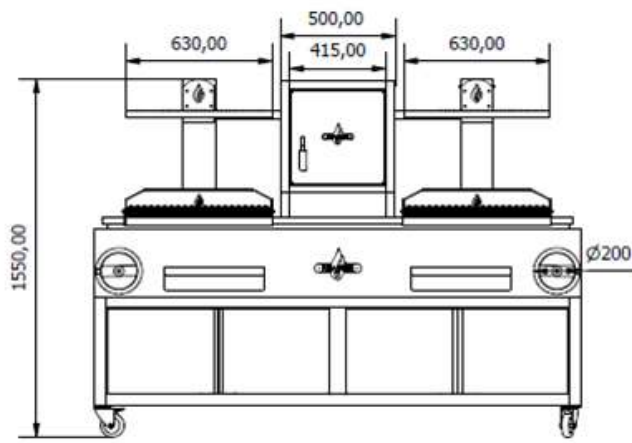


Thermal protection

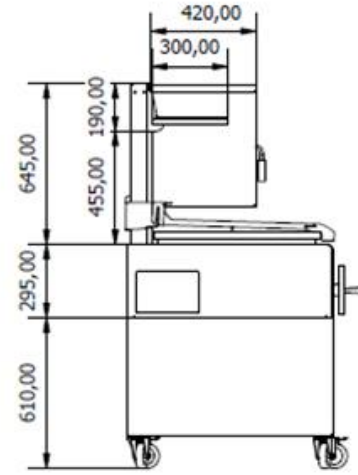


TECHNICAL DRAWINGS

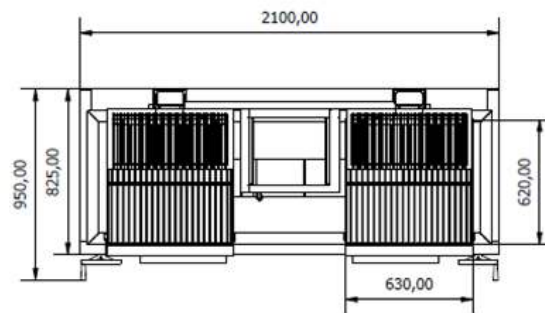
Front view



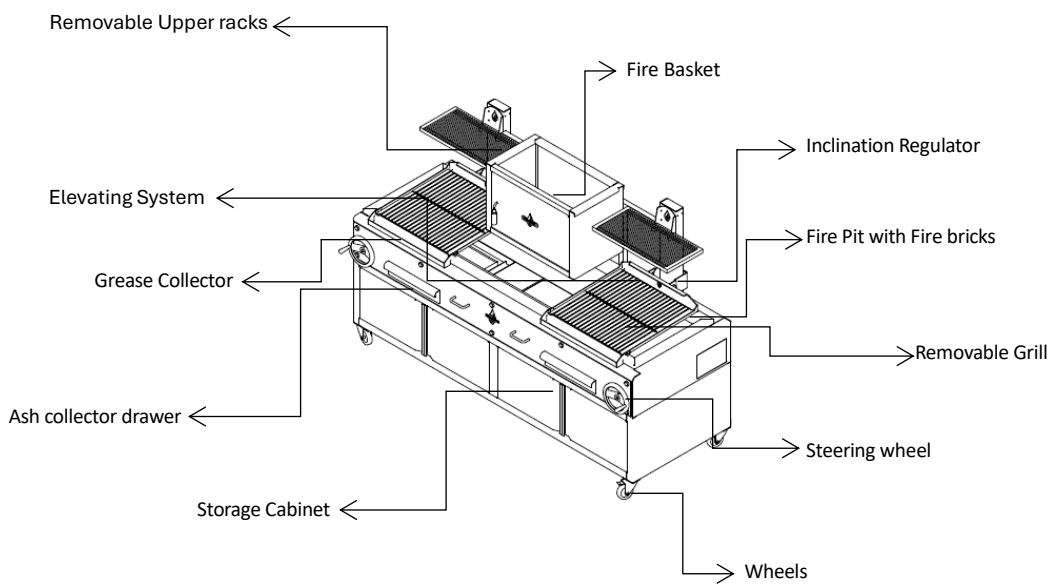
Side view



Top view



MAIN COMPONENTS



*Dimensions in mm

*The parrilla F- SERIES grills are subject to technical and design changes without previous notice

