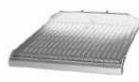


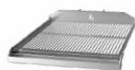
ROASTER CHARCOAL PARRILLA BUILT - IN GRILL GPM1G



ACCESSORIES



Parrilla "V" grill grate



Parrilla rod grill grate



Parrilla upper grill rack



Poker



Grill scraper



Ash shovel



Charcoal starter

TECHNICAL INFORMATION

Roasting area	500X620 mm
---------------	------------

DIMENSIONS & WEIGHTS

Without packaging	700X760X980 mm
With packaging	810X900X1220 mm
Weight (NET)	82 kg
Weight (with packaging)	130 kg

INSTALLATION

Clearance with non-flammable equipment	100 mm
Clearance with flammable equipment	300 mm

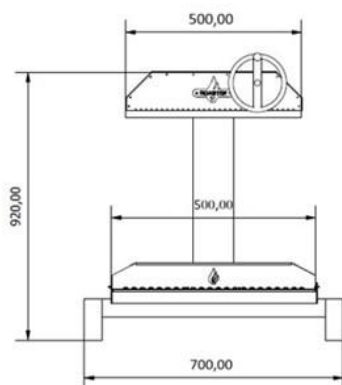
*Depends on the charcoal quality

INCLUDED

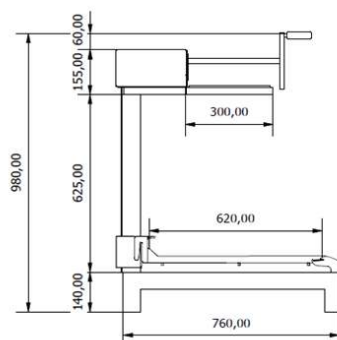
Scraper	1X Parrilla "V" grill grate	Charcoal Shovel	Charcoal Starter
Poker	2X Upper Grill Racks	Grease Collector	Packaging

TECHNICAL DRAWINGS

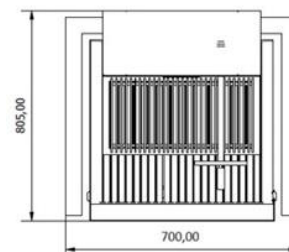
Front view



Side view



Top view



*Dimensions in mm

*The parrilla BUILT - IN grills are subject to technical and design changes without previous notice

