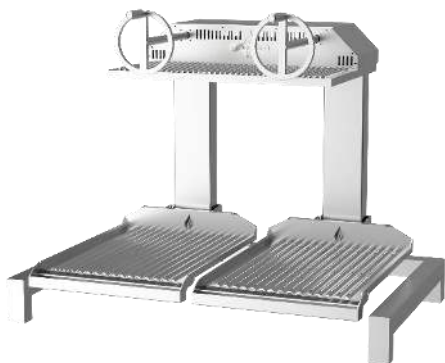


ROASTER CHARCOAL PARRILLA BUILT - IN GRILL GPM2G



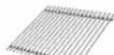
ACCESSORIES



Parrilla "V" grill grate



Parrilla rod grill grate



Parrilla upper grill rack



Poker



Grill scraper

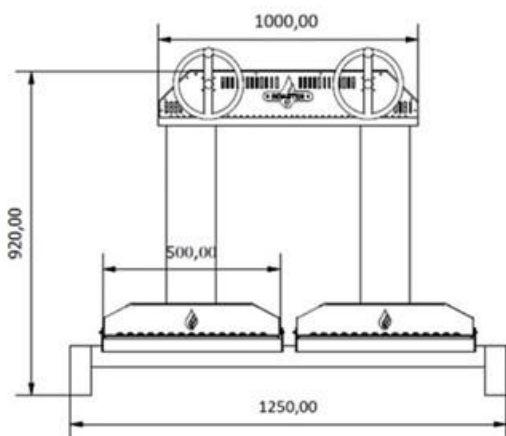


Ash shovel



Charcoal starter

Front view



TECHNICAL INFORMATION

Roasting area	2X 500X620 mm
---------------	---------------

DIMENSIONS & WEIGHTS

Without packaging	1250X760X980 mm
With packaging	1360X900X1220 mm
Weight (NET)	190 kg
Weight (with packaging)	250 kg

INSTALLATION

Clearance with non-flammable equipment	100 mm
Clearance with flammable equipment	300 mm

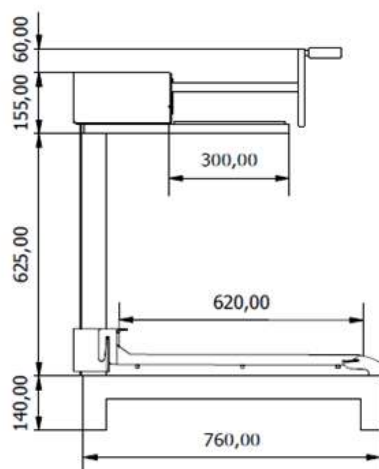
*Depends on the charcoal quality

INCLUDED

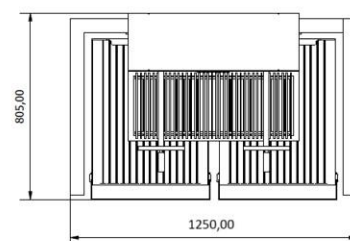
Scraper	2X Parrilla "V" grill grate	Charcoal Shovel	Charcoal Starter
Poker	2X Upper Grill Racks	Grease Collector	Packaging

TECHNICAL DRAWINGS

Side view



Top view



*Dimensions in mm

*The parrilla BUILT - IN grills are subject to technical and design changes without previous notice

