

**ROASTER CHARCOAL ROBATA GRILL
GR120B**



TECHNICAL INFORMATION

Roasting area	1030X495 mm
Fire up time	20 min average
Charcoal daily consumption*	Charcoal 10 - 12 kg
Broiling temperature	200 °C to 250 °C
Exhaust rate	3.000 m3/h

DIMENSIONS & WEIGHTS

Without packaging	1200X650X730 mm
With packaging	1280X800X1000 mm
Weight (NET)	126 kg
Weight (with packaging)	177 kg

INSTALLATION

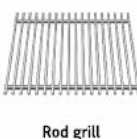
Clearance with non-flammable equipment	100 mm
Clearance with flammable equipment	300 mm

*Depends on the charcoal quality

INCLUDED

Scraper	Rod grill grates	Poker	Grill scraper
Ash Shovel	Upper Grill Racks	Fire Bricks	Charcoal Starter
			Packaging

ACCESSORIES

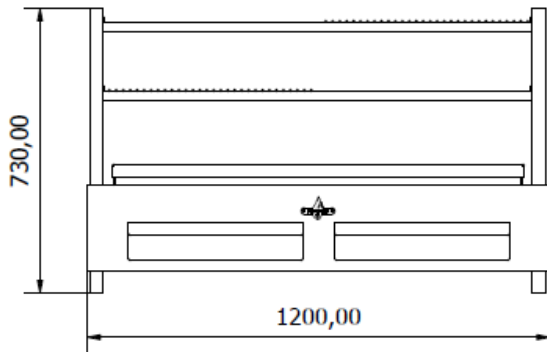


CABINET OPTIONS

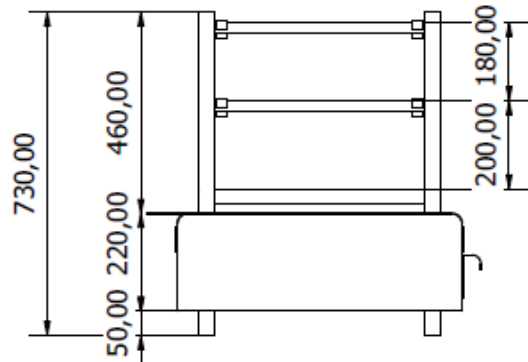


TECHNICAL DRAWINGS

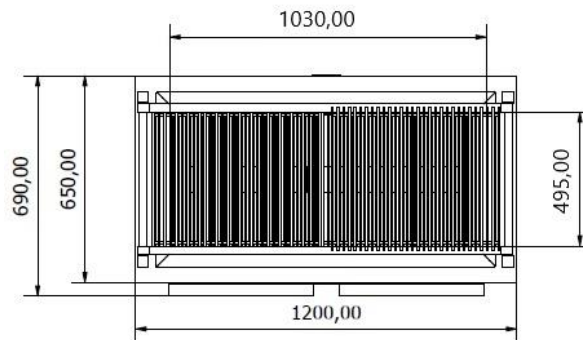
Front view



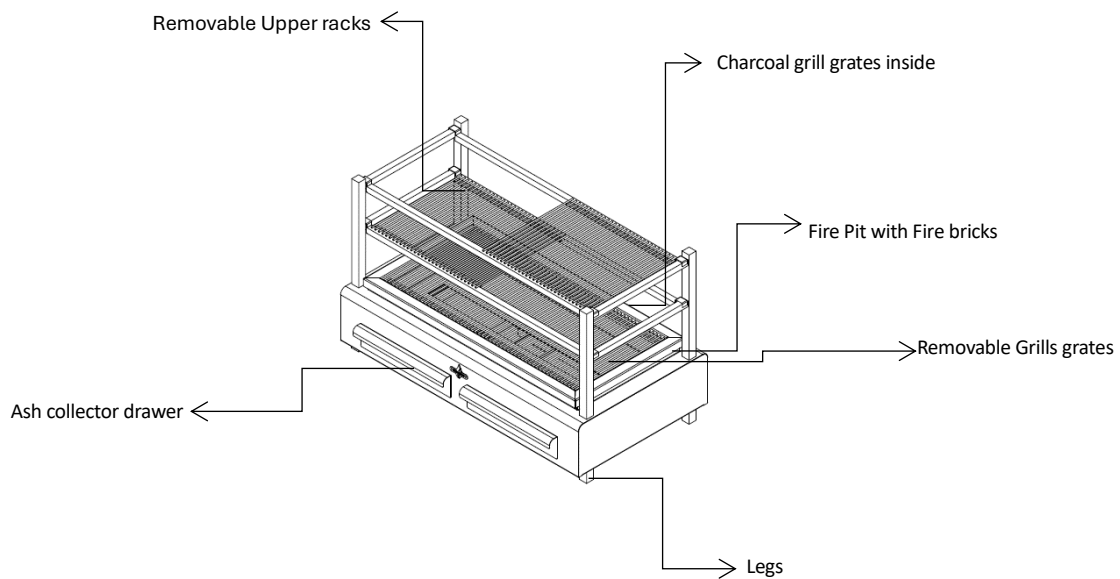
Side view



Top view



MAIN COMPONENTS



*Dimensions in mm

*The robotas are subject to technical and design changes without previous notice

