

**ROASTER CHARCOAL ROBATA GRILL  
GR85B**



**TECHNICAL INFORMATION**

Roasting area	680X495 mm
Fire up time	20 min average
Charcoal daily consumption*	Charcoal 8 - 10 kg
Broiling temperature	200 °C to 250 °C
Exhaust rate	2.500 m3/h

**DIMENSIONS & WEIGHTS**

Without packaging	850X650X730 mm
With packaging	950X800X1000 mm
Weight (NET)	100 kg
Weight (with packaging)	132 kg

**INSTALLATION**

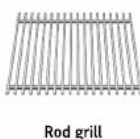
Clearance with non-flammable equipment	100 mm
Clearance with flammable equipment	300 mm

\*Depends on the charcoal quality

**INCLUDED**

Scraper	Rod grill grates	Poker	Grill scraper
Ash Shovel	Upper Grill Racks	Fire Bricks	Charcoal starter   Packaging

**ACCESSORIES**

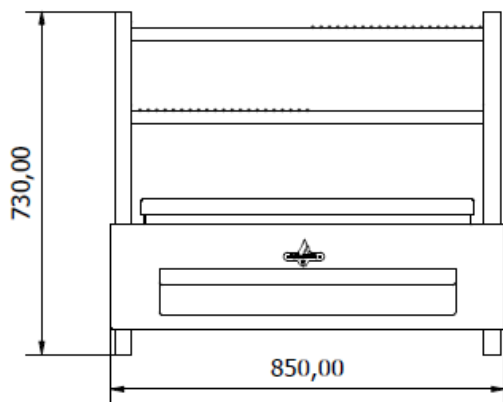


**OPTIONAL**

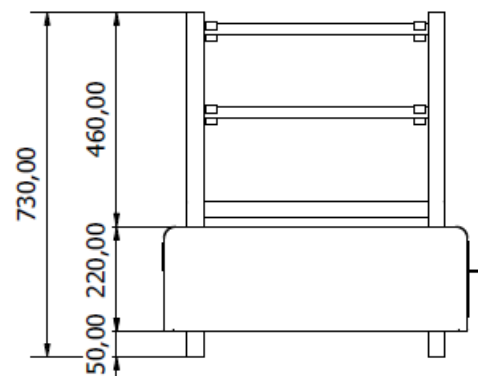


**TECHNICAL DRAWINGS**

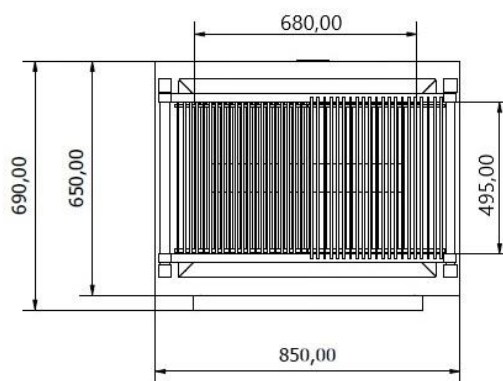
Front view



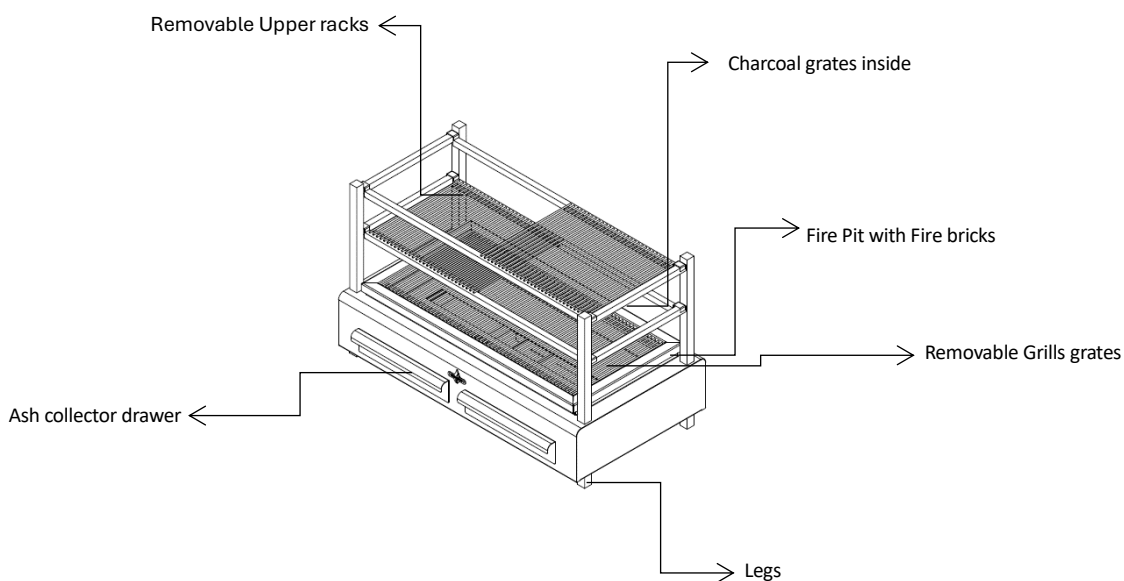
Side view



Top view



**MAIN COMPONENTS**



\*Dimensions in mm

\*The roasters are subject to technical and design changes without previous notice

