

**ROASTER CHARCOAL CHURRASCO GRILL  
K12BF**

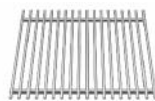


**AVAILABLE COLORS**



Black      Red      Blue      Inox

**ACCESSORIES**



Rod grill grate



Basket



Skewers



Ash shovel



Grill scraper



Poker



Waiting stand



Charcoal starter

**TECHNICAL INFORMATION**

Roasting area	1330X700 mm
Maximum capacity	12 skewers// 4 baskets//4 grill racks
Fire up time	30 min average
Charcoal daily consumption*	Charcoal 17 - 25 kg
Maximum weight per skewer/basket	5 – 7 kg
Maximum capacity chickens	12
Exhaust rate	4.000 m3/h
Electric connection	EU:220 V /50 Hz USA:120 V /60 Hz

**DIMENSIONS & WEIGHTS**

Without packaging	1600X810X1000 mm
With packaging	1710X910X1310 mm
Weight (NET)	275 kg
Weight (with packaging)	355 kg

**INSTALLATION**

Clearance with non-flammable equipment	100 mm
Clearance with flammable equipment	300 mm

\*Depends on the charcoal quality

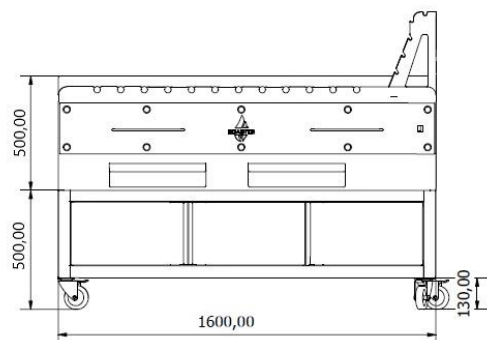
**INCLUDED**

2X Grill grates	Poker	Charcoal Starter	Grill Scraper	3X Baskets
6 Skewers 8X8mm	Fire Bricks	Ash shovel	Waiting Stand	Packaging

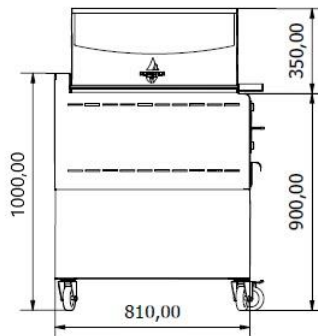


**TECHNICAL DRAWINGS**

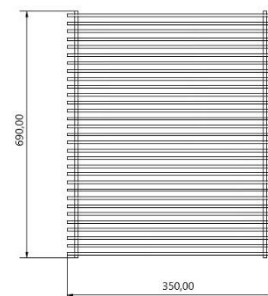
Front view



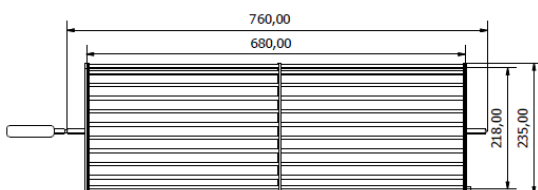
Side View



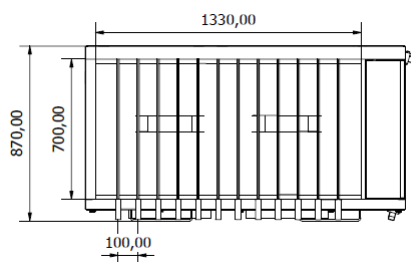
Grill grates



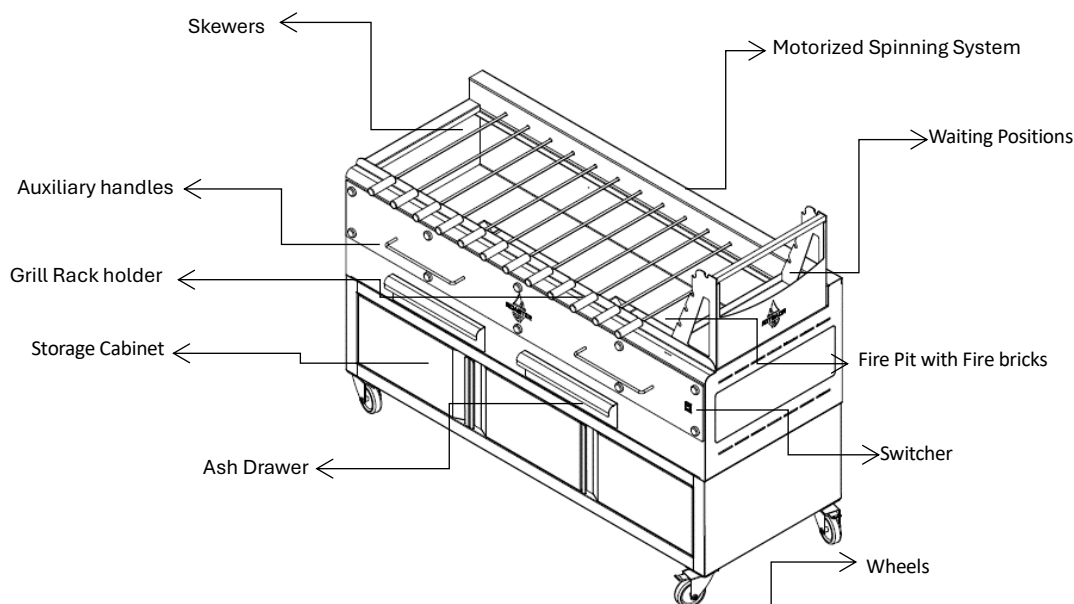
Basket dimension



Top view



**MAIN COMPONENTS**



\*Dimensions in mm

\*The churrasco grills are subject to technical and design changes without previous notice

