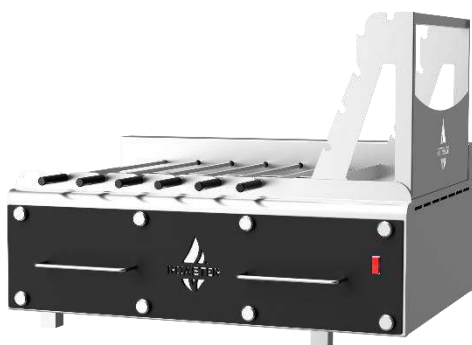


**ROASTER CHARCOAL CHURRASCO GRILL
K6S**



AVAILABLE COLORS



Black Red Blue Inox

TECHNICAL INFORMATION

Roasting area	580X500 mm (6 skewers 8X8X500 mm)
Fire up time	20 min average
Charcoal daily consumption*	Charcoal 8 - 10 kg
Broiling temperature	200 °C to 250 °C
Exhaust rate	2.500 m3/h
Electric connection	EU:220 V /50 Hz USA:120 V /60 Hz

DIMENSIONS & WEIGHTS

Without packaging	850X610X370 mm
With packaging	955X710X680 mm
Weight (NET)	82 kg
Weight (with packaging)	102 kg

INSTALLATION

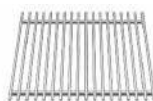
Clearance with non-flammable equipment	100 mm
Clearance with flammable equipment	300 mm

*Depends on the charcoal quality

INCLUDED

2X Grill grates	Poker	Charcoal Starter	Grill Scraper	Packaging
1 Set Skewers 8X8mm	Fire Bricks	Ash shovel	Waiting Stand	

ACCESSORIES



Rod grill grate



Fire Bricks



Skewers



Ash shovel



Grill scraper



Poker



Waiting stand

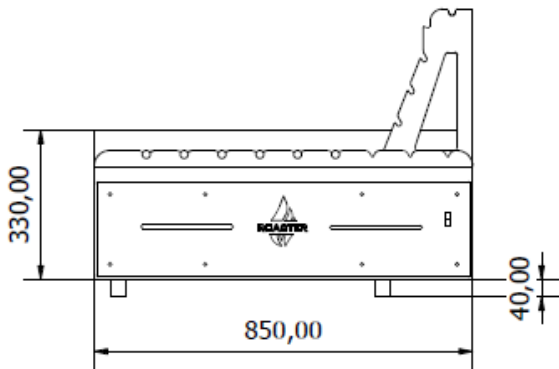


Charcoal starter

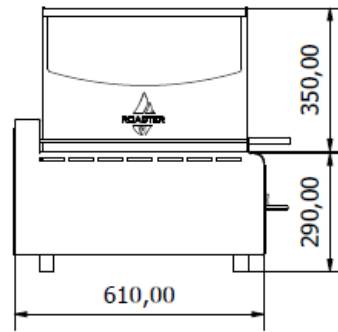


TECHNICAL DRAWINGS

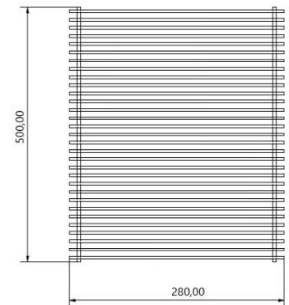
Front view



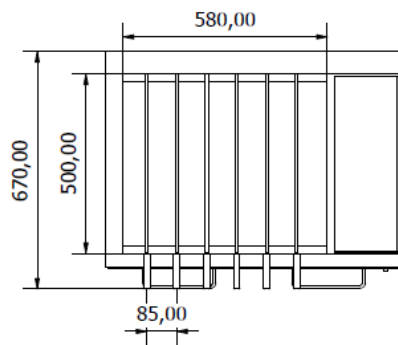
Side view



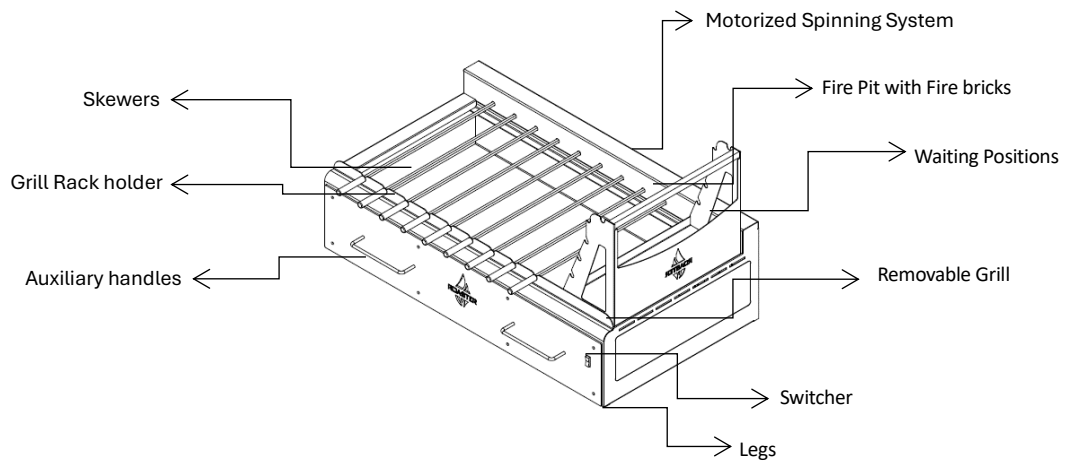
Grill grates



Top view



MAIN COMPONENTS



*Dimensions in mm

*The churrasco grills are subject to technical and design changes without previous notice

