

**ROASTER CHARCOAL CHURRASCO GRILL  
K6SF**



**AVAILABLE COLORS**



Black      Red      Blue      Inox

**ACCESSORIES**



Rod grill grate



Poker



Skewers



Ash shovel



Grill scraper



Waiting stand



Charcoal starter

**TECHNICAL INFORMATION**

Roasting area	580X500 mm (6 skewers 8X8X500 mm)
Fire up time	20 min average
Charcoal daily consumption*	Charcoal 8 - 10 kg
Broiling temperature	200 °C to 250 °C
Exhaust rate	2.500 m3/h
Electric connection	EU:220 V /50 Hz USA:120 V /60 Hz

**DIMENSIONS & WEIGHTS**

Without packaging	850X610X980 mm
With packaging	955X710X1310 mm
Weight (NET)	108 kg
Weight (with packaging)	115 kg

**INSTALLATION**

Clearance with non-flammable equipment	100 mm
Clearance with flammable equipment	300 mm

\*Depends on the charcoal quality

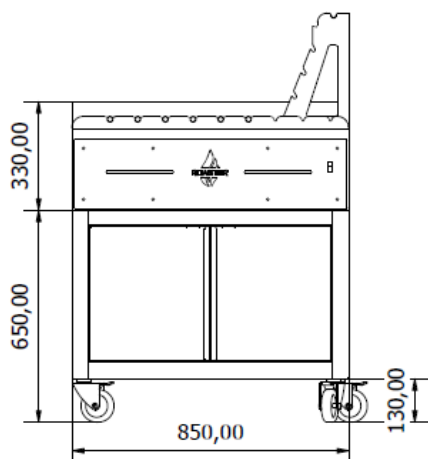
**INCLUDED**

2X Grill grates	Poker	Charcoal Starter	Grill Scraper	Packaging
1 Set Skewers 8X8mm	Fire Bricks	Ash shovel	Waiting Stand	

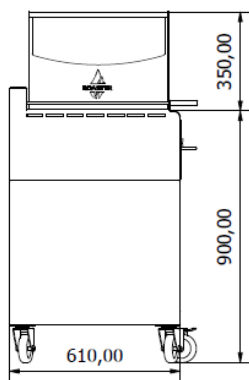


**TECHNICAL DRAWINGS**

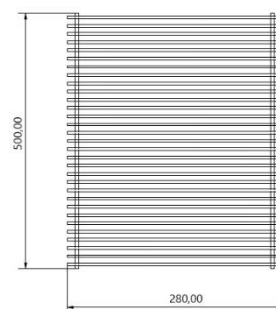
Front view



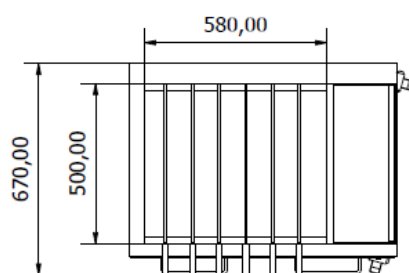
Side view



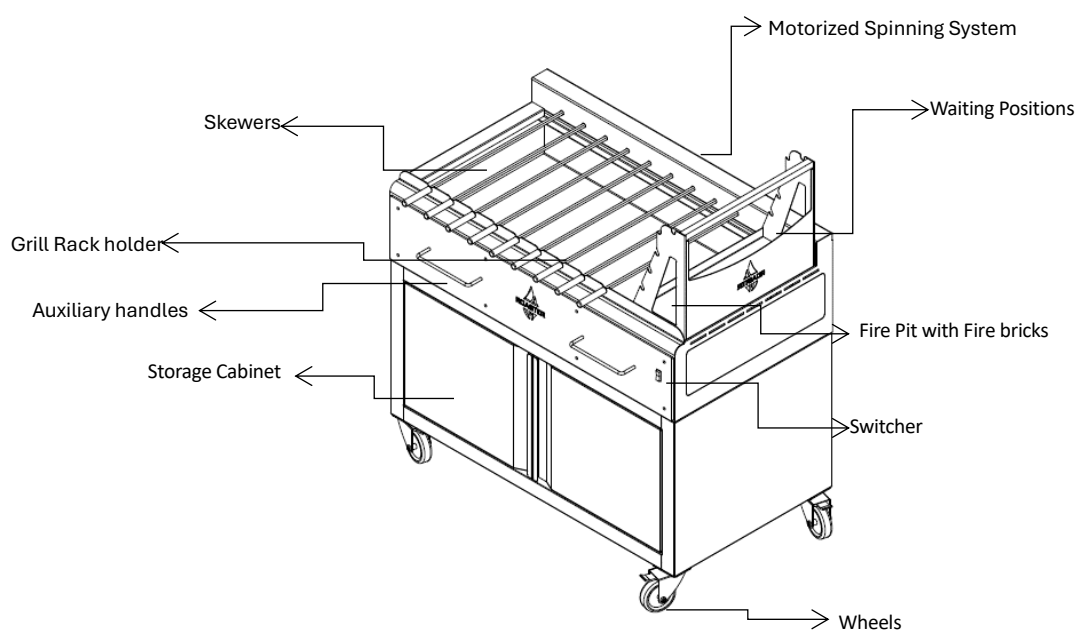
Grill grates



Top view



**MAIN COMPONENTS**



\*Dimensions in mm

\*The churrasco grills are subject to technical and design changes without previous notice

