

**ROASTER CHURRASCO DOUBLE  
K9BD**



**AVAILABLE COLORS**



**ACCESSORIES**

**OPTIONAL**



Open Cabinet with one shelf



Open Cabinet with drawers,  
GN supports and one shelf



Cabinet with opening doors  
and GN supports

**TECHNICAL INFORMATION**

Roasting area	1000X700 mm
Maximum capacity	9 skewers/baskets / 3 grill racks
Fire up time	30 min average
Charcoal daily consumption*	Charcoal 20 – 24 kg
Maximum weight per skewer/basket	5-7 kg
Broiling temperature	200°C to 250°C
Exhaust rate	3.000 m3/h
Electric connection	EU: 220V/50Hz, USA: 120V/60Hz

**DIMENSIONS & WEIGHTS**

Without packaging	1150X810X1190 mm
With packaging	1260X1010X1500 mm
Weight (NET)	150 kg
Weight (with packaging)	200 kg

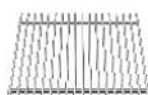
**INSTALLATION**

Clearance with non-flammable equipment	100 mm
Clearance with flammable equipment	300 mm

\* Depends on the charcoal quality

**INCLUDED**

Grill Grates	Spit Forks (Double)	Fire Bricks	Skewers 8x8mm	Ash shovel
Poker	Waiting Stand (Single)	Flat Baskets	Charcoal Starter	Packaging
Grill Scraper	Round Baskets			



Rod grill grate



Flat Basket



Round basket



Skewers



Ash shovel



Grill scraper



Poker



Single spit fork



Double spit fork



Waiting stand

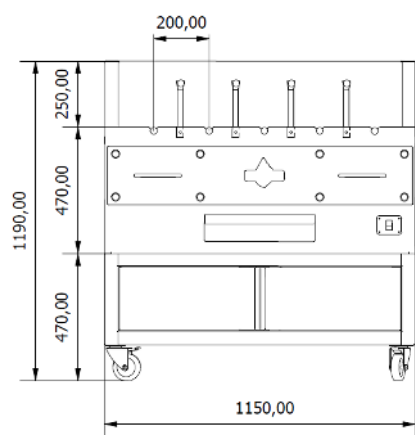


Charcoal starter

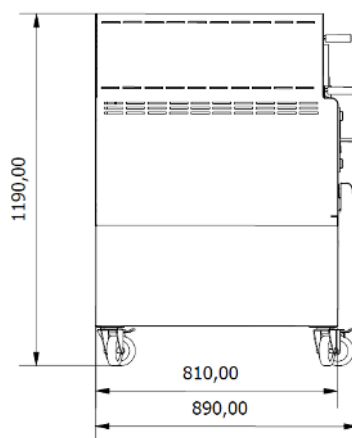


**TECHNICAL DRAWINGS**

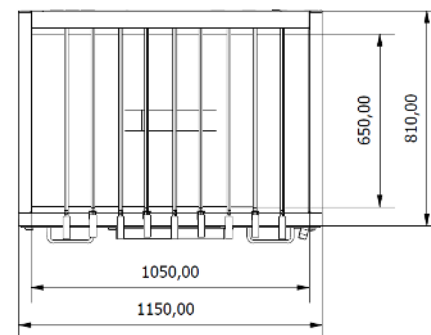
Front view



Side view



Top view



**MAIN COMPONENTS**

