

ROASTER CHARCOAL CHURRASCO GRILL K9S

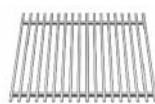


AVAILABLE COLORS



Black Red Blue Inox

ACCESSORIES



Rod grill grate



Basket



Skewers



Ash shovel



Grill scraper



Poker



Waiting stand



Charcoal starter

TECHNICAL INFORMATION

Roasting area	830X500 mm (9 skewers 8X8X500 mm)
Fire up time	20 min average
Charcoal daily consumption*	Charcoal 11 - 13 kg
Broiling temperature	200 °C to 250 °C
Exhaust rate	2.800 m3/h
Electric connection	EU:220 V /50 Hz USA:120 V /60 Hz

DIMENSIONS & WEIGHTS

Without packaging	1100X610X370 mm
With packaging	1210X710X680 mm
Weight (NET)	90 kg
Weight (with packaging)	122 kg

INSTALLATION

Clearance with non-flammable equipment	100 mm
Clearance with flammable equipment	300 mm

*Depends on the charcoal quality

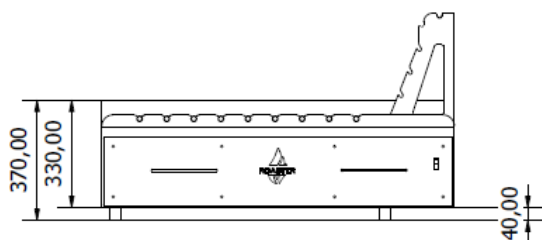
INCLUDED

2X Grill grates	Poker	Charcoal Starter	Grill Scraper	Packaging
1 Set Skewers 8X8mm	Fire Bricks	Ash shovel	Waiting Stand	

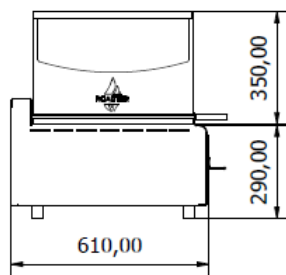


TECHNICAL DRAWINGS

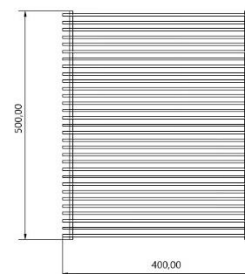
Front view



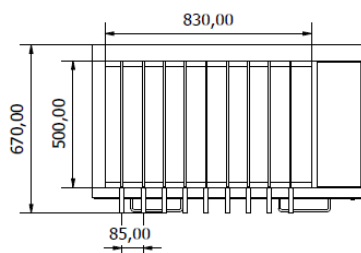
Side View



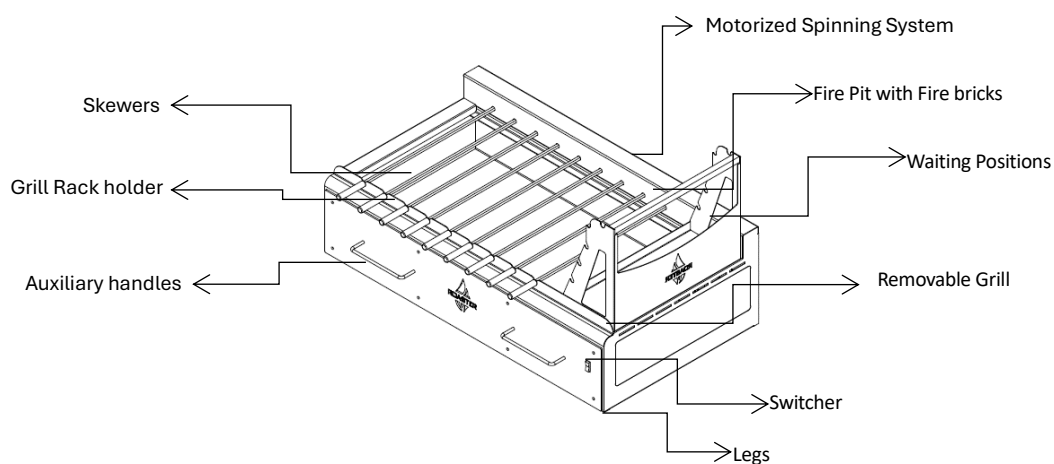
Grill grates



Top view



MAIN COMPONENTS



*Dimensions in mm

*The churrasco grills are subject to technical and design changes without previous notice

