

ROASTER MULTI GRILL STATION MU120



AVAILABLE COLORS



ACCESSORIES

OPTIONAL



Open Cabinet with one shelf



Open Cabinet with drawers,
GN supports and one shelf



Cabinet with opening doors
and GN supports

TECHNICAL INFORMATION

Roasting area	950X520 mm
Fire up time	30 min average
Charcoal daily consumption*	Charcoal 18 – 22 kg
Broiling temperature	200°C to 250°C
Exhaust rate	2.500 m3/h

DIMENSIONS & WEIGHTS

Without packaging	1200X825X1550 mm
With packaging	1350X1020X1790 mm
Weight (NET)	190 kg
Weight (with packaging)	310 kg

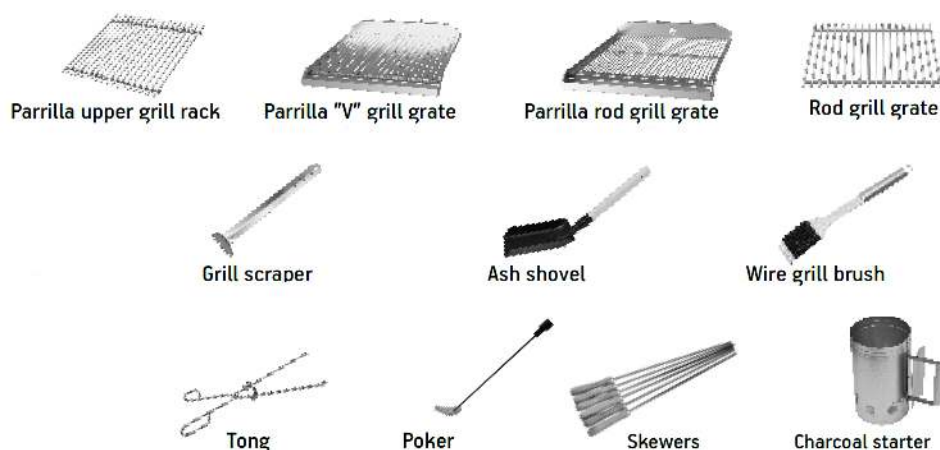
INSTALLATION

Clearance with non-flammable equipment	100 mm
Clearance with flammable equipment	300 mm

* Depends on the charcoal quality

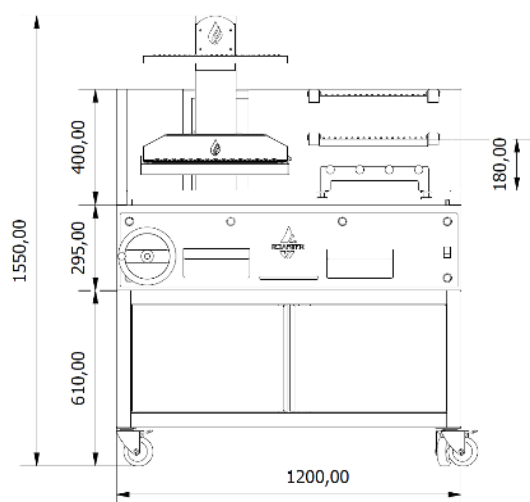
INCLUDED

Scraper	1X Parrilla "V" grill grates	Ash Collector Drawer	Grease Collector	Fire Bricks
Poker	2X Upper Grill Racks	Charcoal Shovel	Charcoal Starter	Packaging
Skewers	Thermal Protection	Rod Grill Grate	Grill Brush	

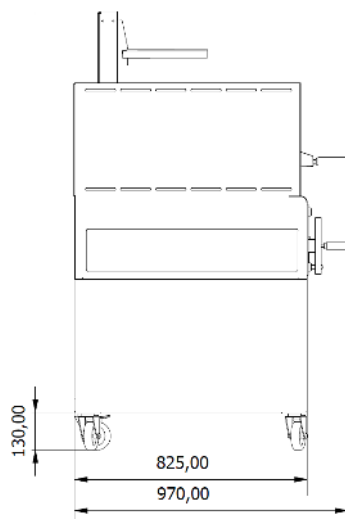


TECHNICAL DRAWINGS

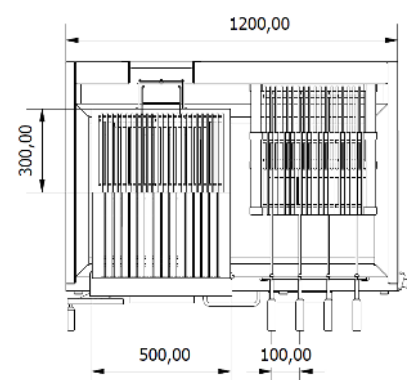
Front view



Side view



Top view



MAIN COMPONENTS

