

ROASTER CHARCOAL OVEN R34



AVAILABLE COLORS



Inox door



Black door



Red door



Blue door

ACCESSORIES



Grill rack



Tong



Poker



Grill scraper



Ash shovel



Wire grill brush



Clip tong for trays

TECHNICAL INFORMATION

Productivity +-	30 diners
Fire up time	30 min average
Charcoal daily consumption *	5 – 7 kg
Performance *	7 h
Broiling temperature	250°C to 350°C
Exhaust rate	1400 m3/h
Heat Output	5 kw
Extraction Diameter Φ	180 mm

DIMENSIONS & WEIGHTS

Without packaging	585X577X1095 mm
With packaging	700X780X1340 mm
Weight (NET)	167 kg
Weight (with packaging)	205 kg

INSTALLATION

Clearance with non-flammable equipment	100 mm
Clearance with flammable equipment	300 mm

*Depends on the charcoal quality

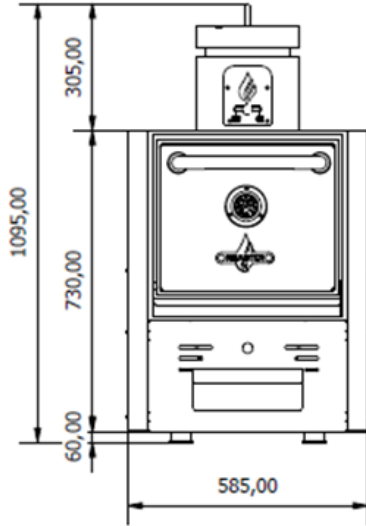
INCLUDED

Fire braker	Tong	Grill Scraper
1x Stainless Steel Grill Grates	Clip Tong	Ash Shovel
Grease Collector	Wire Brush	Poker
	Ash Collector Drawer	Packaging

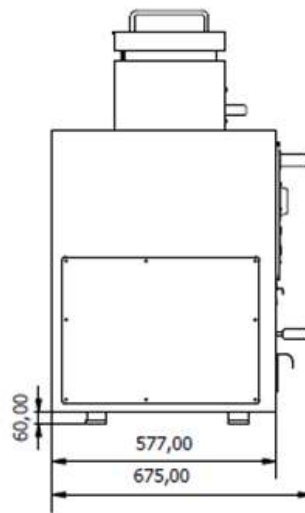


TECHNICAL DRAWINGS

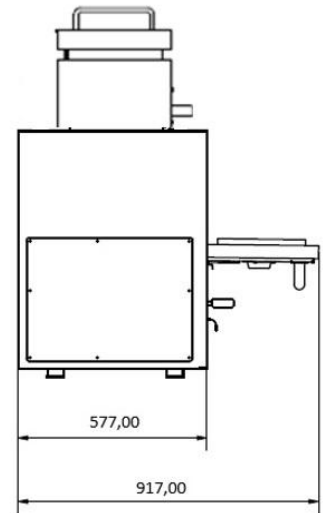
Front view



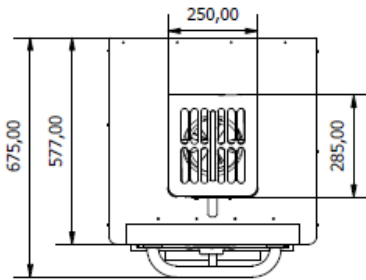
Side view



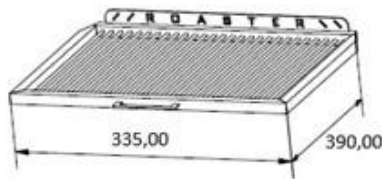
Dimensions with Open Door



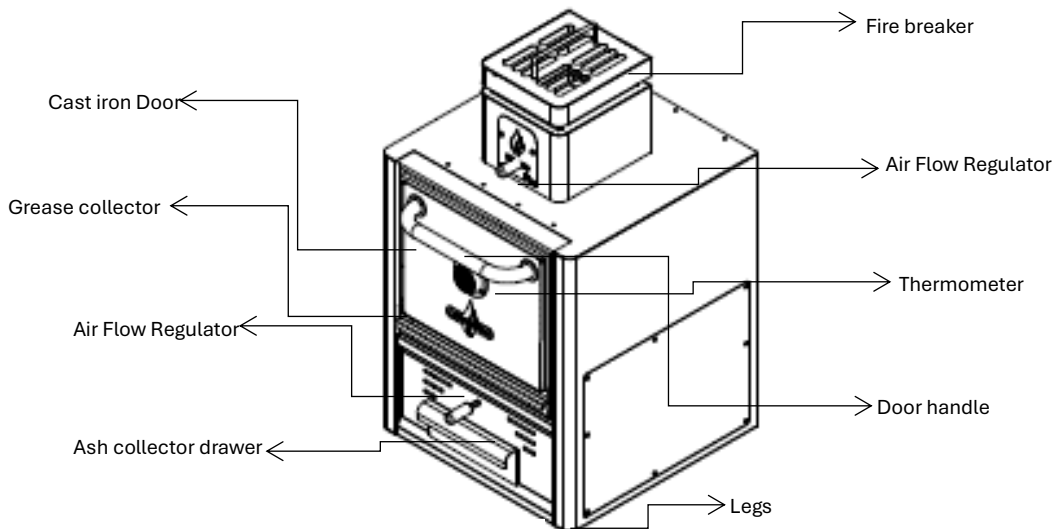
Top view



Roasting area



MAIN COMPONENTS



*Dimensions in mm

*The charcoal ovens are subject to technical and design changes without previous notice

