

**ROASTER CHARCOAL OVEN R34**



**AVAILABLE COLORS**



Inox door



Black door



Red door



Blue door

**ACCESSORIES**



Grill rack



Tong



Poker



Grill scraper



Ash shovel



Wire grill brush



Clip tong for trays

**TECHNICAL INFORMATION**

Productivity +-	30 diners
Fire up time	30 min average
Charcoal daily consumption *	5 – 7 kg
Performance *	7 h
Broiling temperature	250°C to 350°C
Exhaust rate	1400 m3/h
Heat Output	5 kw
Extraction Diameter Φ	180 mm

**DIMENSIONS & WEIGHTS**

Without packaging	585X577X1095 mm
With packaging	700X780X1340 mm
Weight (NET)	150 kg
Weight (with packaging)	205 kg

**INSTALLATION**

Clearance with non-flammable equipment	100 mm
Clearance with flammable equipment	300 mm

\*Depends on the charcoal quality

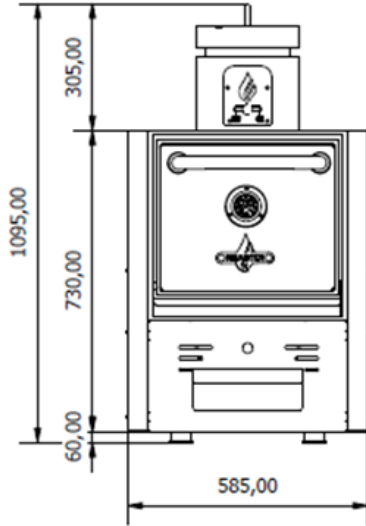
**INCLUDED**

Fire braker	Tong	Grill Scraper
1x Stainless Steel Grill Grates	Clip Tong	Ash Shovel
Grease Collector	Wire Brush	Poker
	Ash Collector Drawer	Packaging

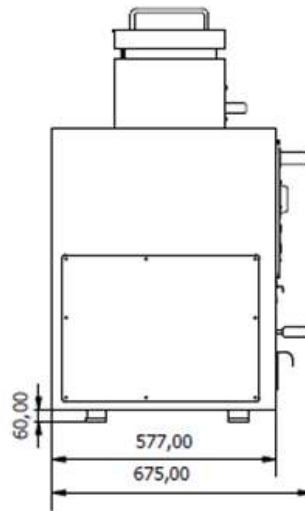


**TECHNICAL DRAWINGS**

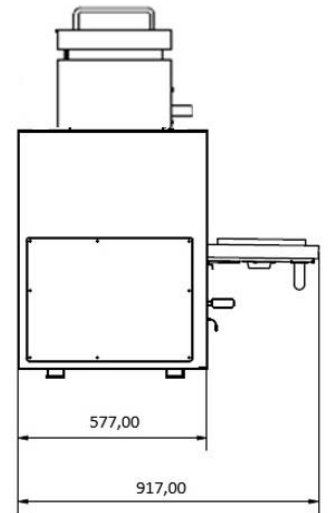
Front view



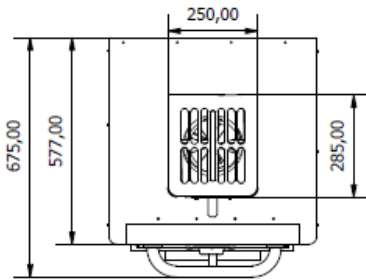
Side view



Dimensions with Open Door



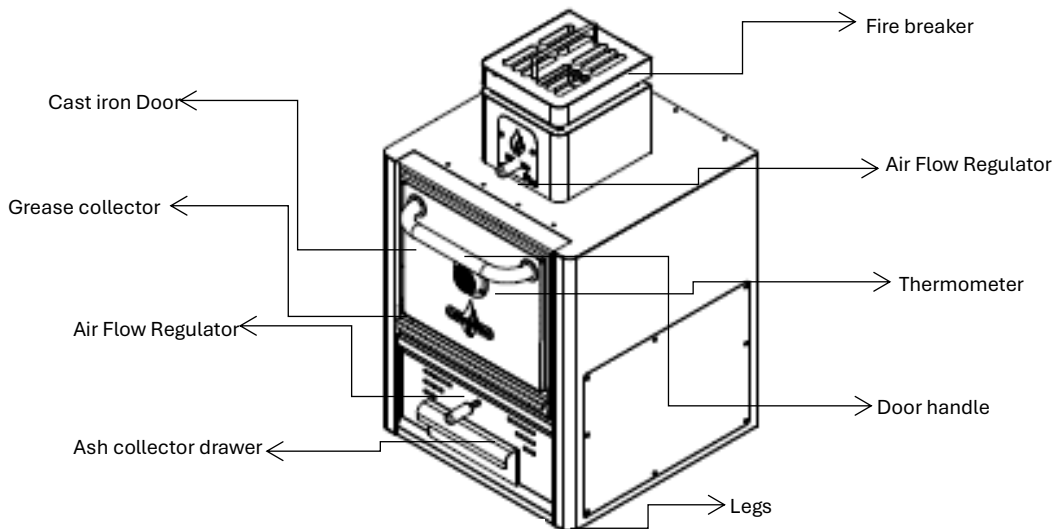
Top view



Roasting area



**MAIN COMPONENTS**



\*Dimensions in mm

\*The charcoal ovens are subject to technical and design changes without previous notice

