

**ROASTER CHARCOAL OVEN R74**



**AVAILABLE COLORS**



Inox door



Black door



Red door



Blue door

**ACCESSORIES**



Grill rack



Top GN tray



Tong



Poker



Grill scraper



Ash shovel



Wire grill brush



Clip tong for trays

**TECHNICAL INFORMATION**

Productivity +/-	75 diners
Fire up time	30 min average
Charcoal daily consumption *	10 – 12 kg
Performance *	9 h
Broiling temperature	250°C to 350°C
Exhaust rate	2100 m3/h
Heat Output	6 kw
Extraction Diameter Φ	180 mm

**DIMENSIONS & WEIGHTS**

Without packaging	985X577X1095 mm
With packaging	1130X780X1370 mm
Weight (NET)	278 kg
Weight (with packaging)	335 kg

**INSTALLATION**

Clearance with non-flammable equipment	100 mm
Clearance with flammable equipment	300 mm

\*Depends on the charcoal quality

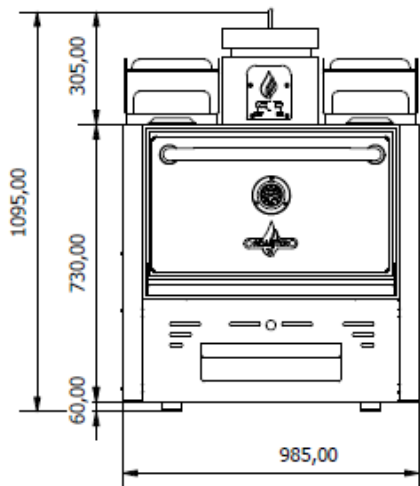
**INCLUDED**

Fire braker	Tong	Grill Scraper
2x Stainless Steel Grill Grates	Clip Tong	Ash Shovel
2x Top GN Trays	Wire Brush	Poker
Grease Collector	Ash Collector Drawer	Packaging

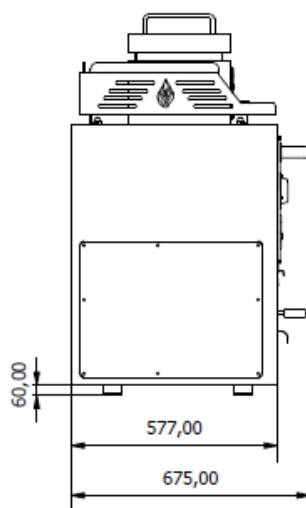


**TECHNICAL DRAWINGS**

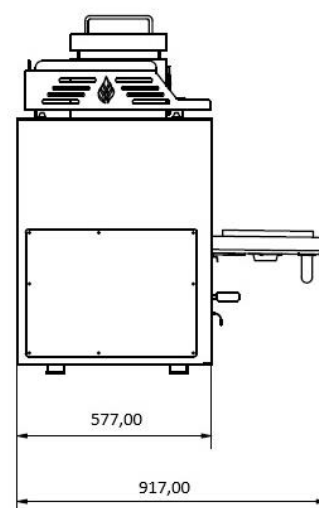
Front view



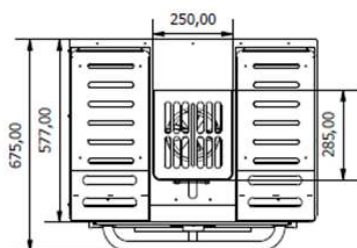
Side view



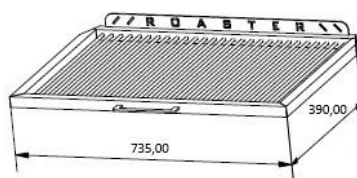
Dimensions with Open Door



Top view



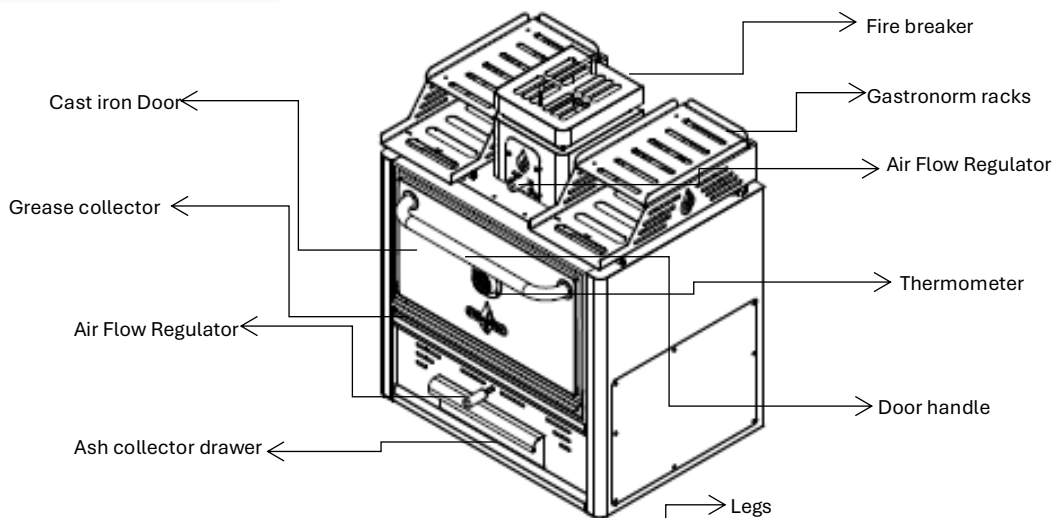
Roasting area



Gastronorm rack



**MAIN COMPONENTS**



\*Dimensions in mm

\*The charcoal ovens are subject to technical and design changes without previous notice

