

ROASTER CHARCOAL OVEN R76



AVAILABLE COLORS



Inox door



Black door



Red door



Blue door

ACCESSORIES



Grill rack



Top GN tray



Tong



Poker



Grill scraper



Ash shovel



Wire grill brush



Clip tong for trays

TECHNICAL INFORMATION

Productivity +/-	110 diners
Fire up time	30 min average
Charcoal daily consumption	15 – 17 kg
Performance *	9 h
Broiling temperature	250°C to 350°C
Exhaust rate	2500 m3/h
Heat Output	8 kw
Extraction Diameter Φ	180 mm

DIMENSIONS & WEIGHTS

Without packaging	985X777X1095 mm
With packaging	1130X980X1370 mm
Weight (NET)	342 kg
Weight (with packaging)	390 kg

INSTALLATION

Clearance with non-flammable equipment	100 mm
Clearance with flammable equipment	300 mm

*Depends on the charcoal quality

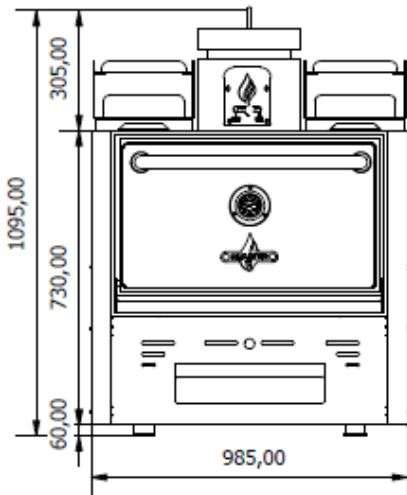
INCLUDED

Fire braker	Tong	Grill Scraper
2x Stainless Steel Grill Grates	Clip Tong	Ash Shovel
2x Top GN Trays	Wire Brush	Poker
Grease Collector	Ash Collector Drawer	Packaging

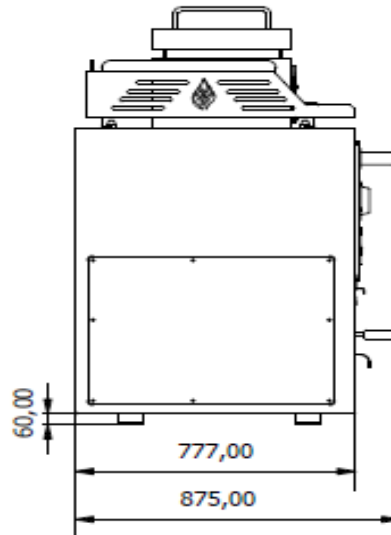


TECHNICAL DRAWINGS

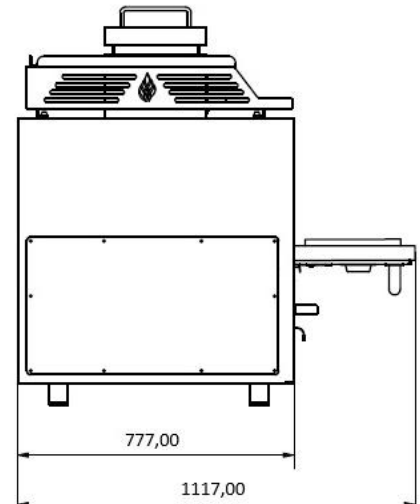
Front view



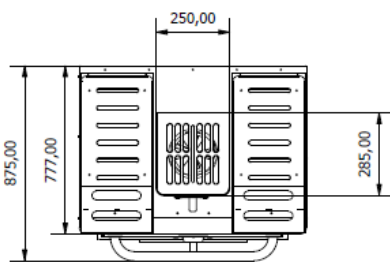
Side view



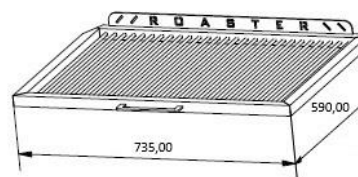
Dimensions with Open Door



Top view



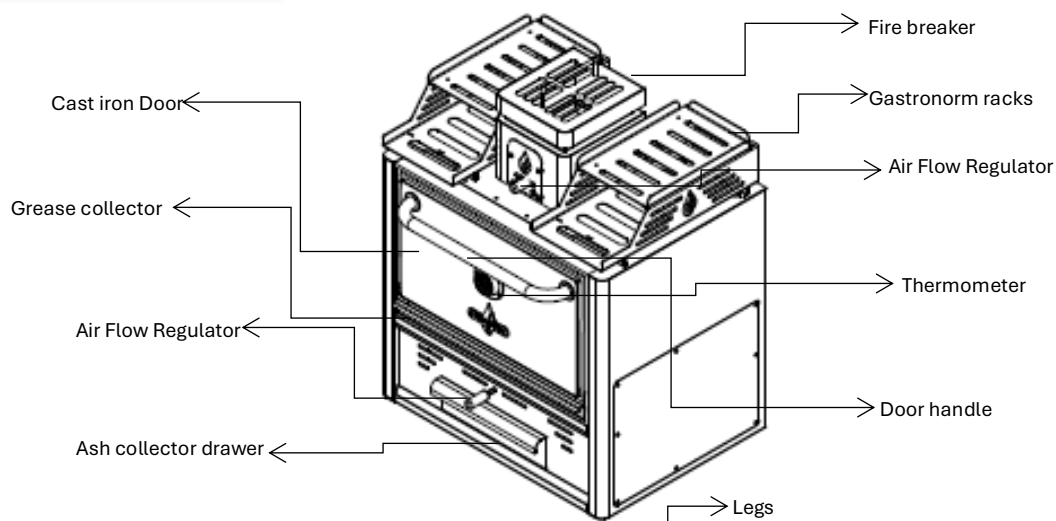
Roasting area



Gastronorm rack



MAIN COMPONENTS



*Dimensions in mm

*The charcoal ovens are subject to technical and design changes without previous notice

